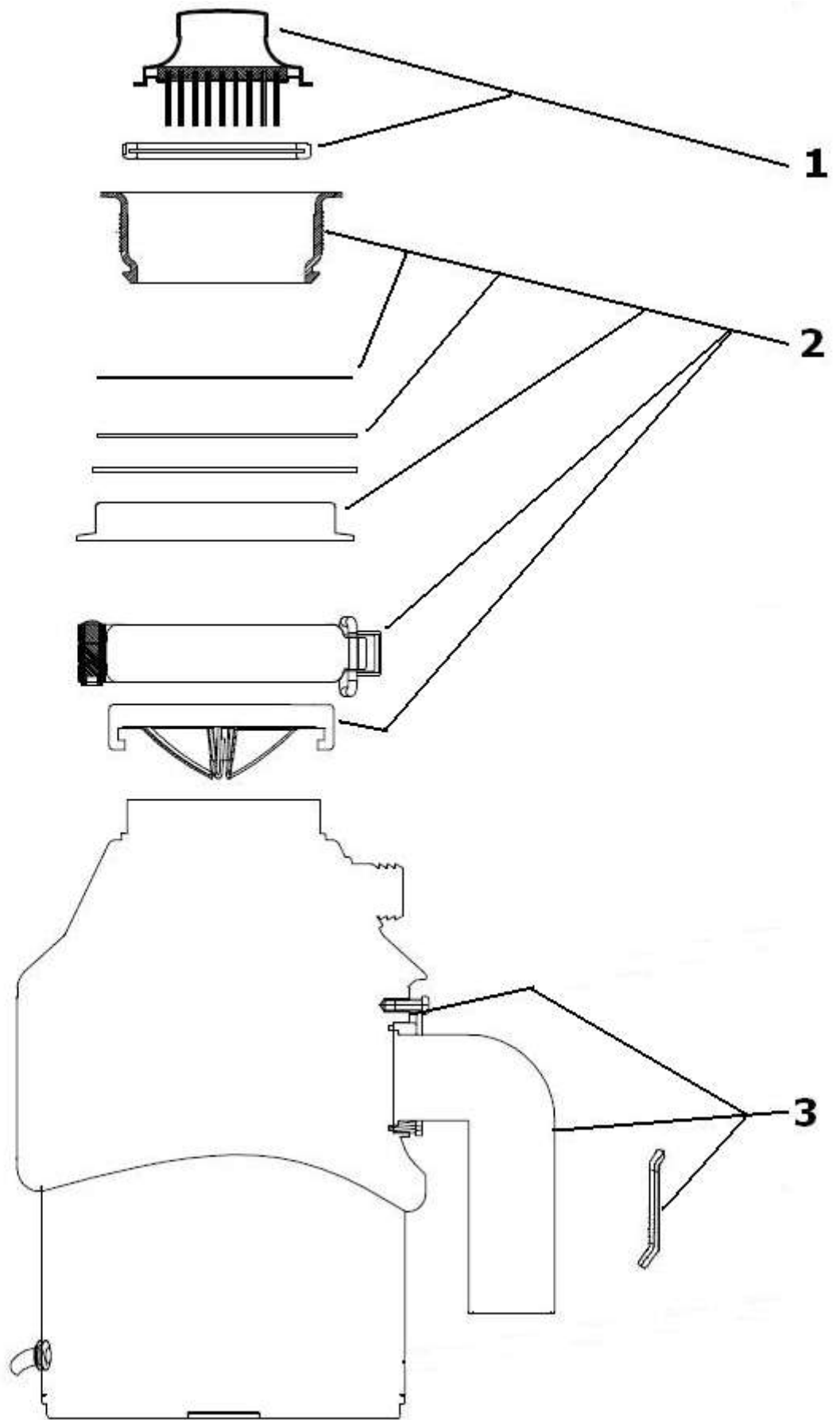


Description: **ROBINHOOD WASTE DISPOSAL**  
Model Number: **SE390, SE390Q, SE390QA, SE520Q, SE520QA**



SE390Q shown.

# Exploded view



		Part number
Item	Description	
1	Plug with brush and sea	WD6215961
2	Sink flange, rubber gasket, fibre gasket, mounting ring, hinged clamp and splash baffle.	WD6215962
3	Rubber seal & waste assembly and wrench	WD6215963
4	Air switch button, Air switch and Air switch tube (not shown) models SE390QA & SE520QA only	WD6215964

## Notes

ECN: 08 099

### **New Zealand**

Robinhood Ltd  
Telephone: 0800 760 667  
Facsimile: 0800 276 246  
Email: [enquiries@robinhood.co.nz](mailto:enquiries@robinhood.co.nz)  
[www.robinhood.co.nz](http://www.robinhood.co.nz)

### **Australia**

Robinhood PTY Ltd  
Telephone: 1800 648 556  
Facsimile: 1800 628 577  
Email: [enquiries@robinhood.com.au](mailto:enquiries@robinhood.com.au)  
[www.robinhood.com.au](http://www.robinhood.com.au)

