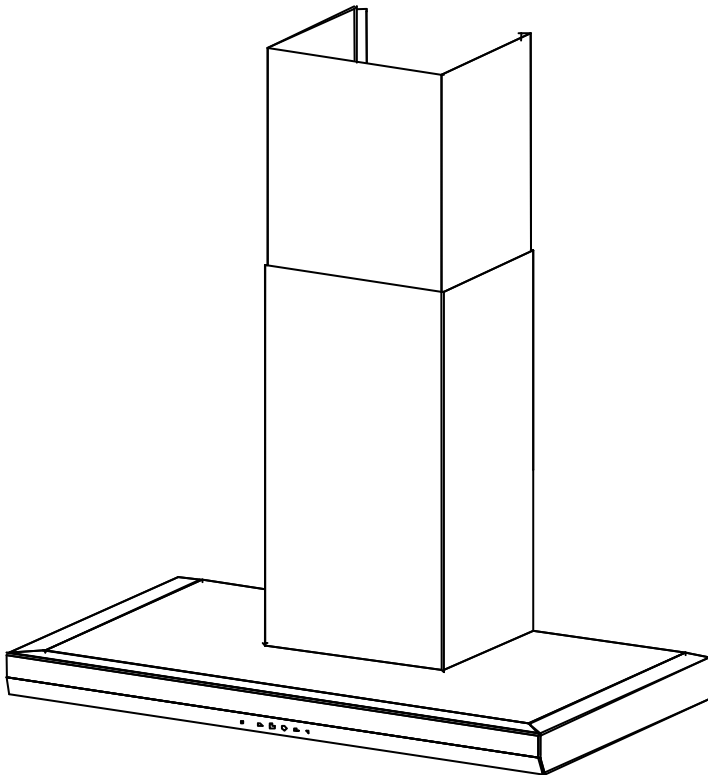
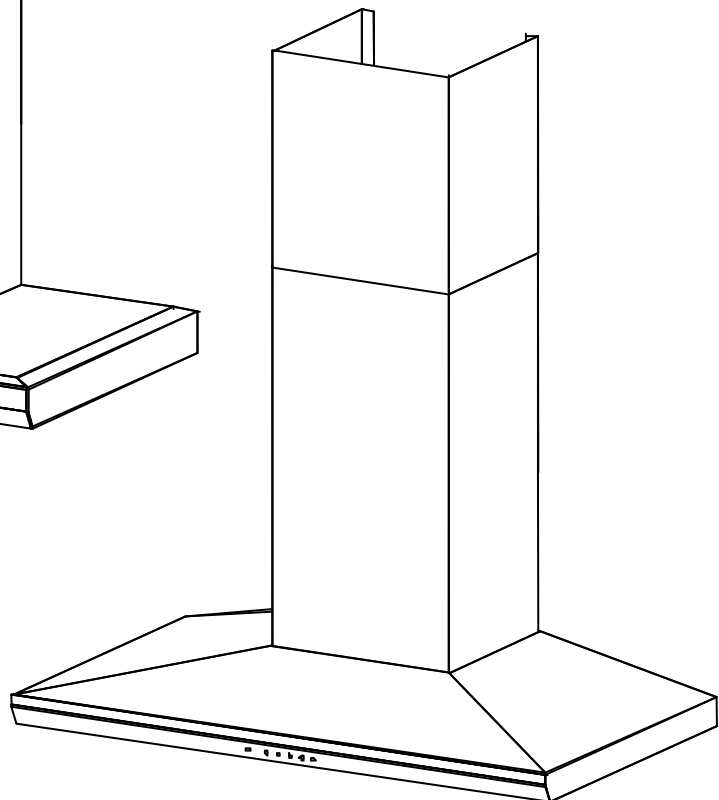


Description: **ROBINHOOD WALL CANOPY**  
Model Numbers: **RWA3CF9SS, RWA3CF12SS**  
**RWB3CF9SS, RWB3CF12SS**



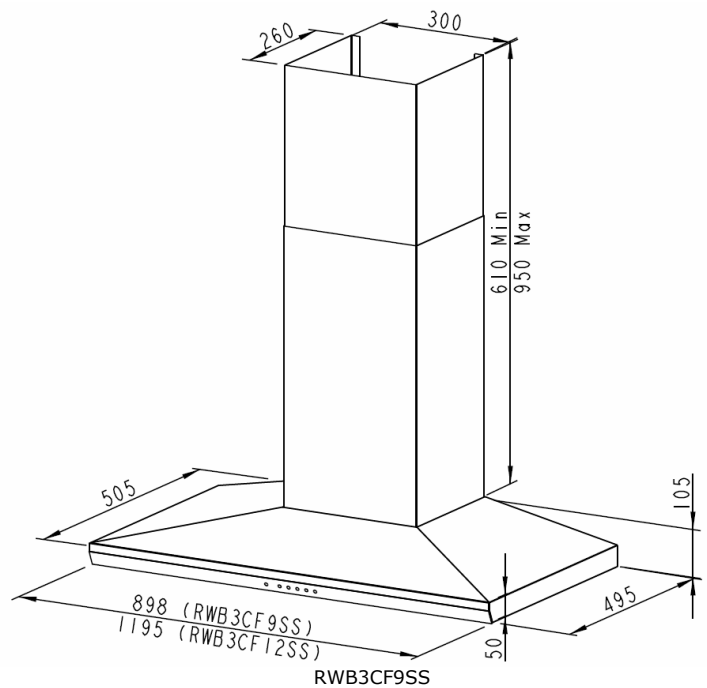
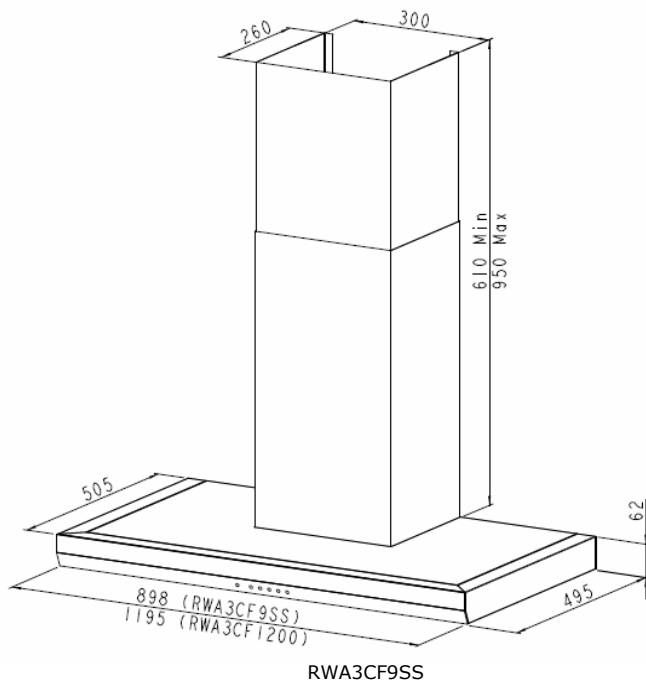
**RWA3CF9SS**



**RWB3CF9SS**

*All dimensions in mm  
Models may vary slightly from images pictured*

## Overview



## Pre-Installation

Thank you for purchasing a quality Robinhood rangehood. Robinhood has a high standard of quality control and every rangehood is tested and approved before it leaves the factory.

### Important:

- Please read the entire instructions before installing the rangehood.
- Always switch power off prior to installation.
- Stainless steel is very easily damaged during installation if abraded or knocked by tools. Protect the rangehood with the cardboard box or plastic bag during installation.
- All electrical work must be done in accordance with local and national electrical codes as applicable.
- For safety, this product must be earthed.
- A power outlet should be within 1500mm of the power cord exit from the rangehood.
- The power socket must be accessible and enable the end user to isolate the rangehood from the power for the purpose of internal cleaning or maintenance.
- All ducting must comply with local requirements and building codes.
- If re-circulating, ensure that the side outlet grilles on the upper chimney are not obstructed. Even a partial obstruction will restrict the efficiency of the rangehood.
- Check the contents of the packaging; Check all electrical functions of the canopy before installation.
- Canopy is heavy. Please ensure adequate care when installing to prevent personal injury.
- The fluorescent tubes are designed so that if one tube fails (has come loose in transit or has an electrical fault) then the other tube will stop working until the fault is fixed. This is a fail safe mode.
- The fluorescent tube(s) may have come loose during transit. To refit a tube refer to page 8, Cleaning and Maintenance, of these instructions.

### Contents of packaging:

- 1 x rangehood
- 1 x packet of fasteners and wall plugs
- 2 x chimney pieces (upper and lower)
- 2 x chimney brackets
- 1 x Installation and Operating Instructions

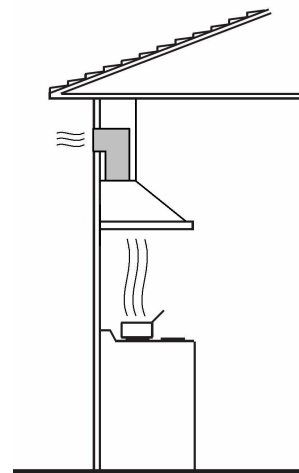
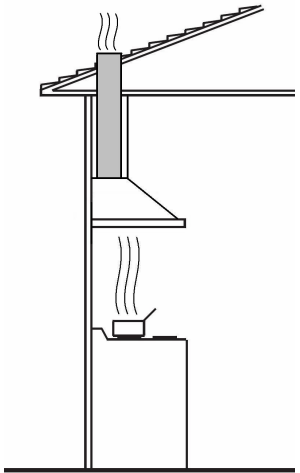
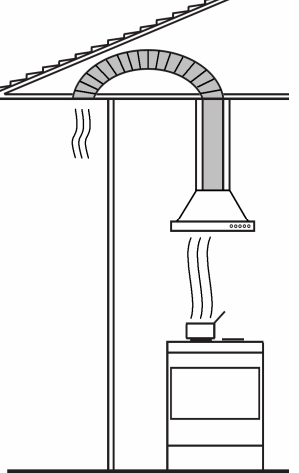
### Typical equipment required:

- electric drill and screwdriver
- tape measure and spirit level
- step ladder
- duct tape (if ducting)
- jig saw (if ducting)

## Ducting Options

The method of ducting should be carefully considered before installing the rangehood. The guide below recommends the ducting components to use for all common ducting configurations - through the top of the home (for the roof and soffit) and through the rear of the home. 150mm round ducting should be used in conjunction with this model rangehood. Alternatively this rangehood can be operated in recirculation mode (Pg.6 Recirculation mode).

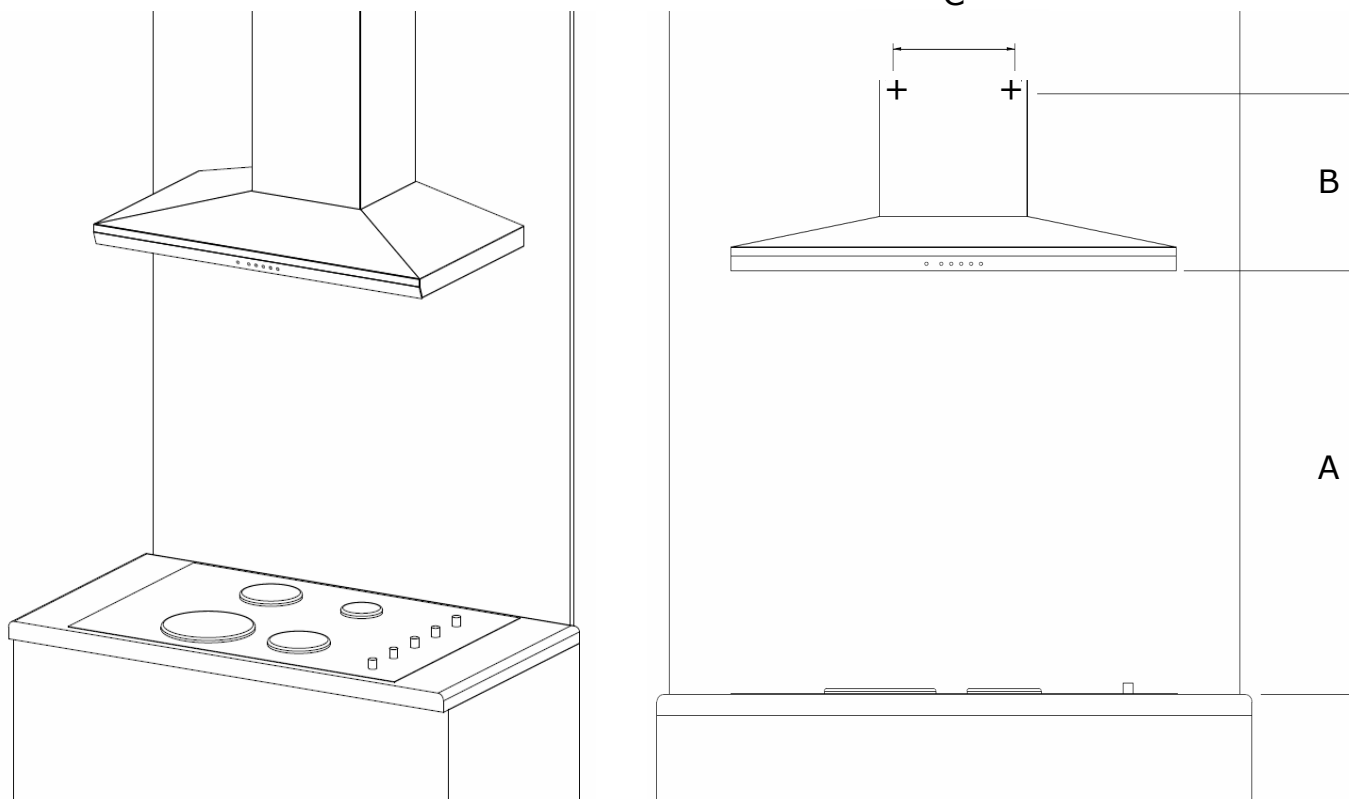
**The highlighted area in the table below gives the recommended Uniduct item numbers for different mounting and outlet options.**

Duct mounting option			
	Rear	Top (roof)	Top (soffit/eave)
			
Uniduct item numbers			
<b>150mm diameter round outlet</b>	1688	1634 and 1635	1634 and 1688

Extra lengths and/or bends may be required, depending on the length required and whether there is any structural material in the way, e.g. rafters.

Please note that this chart is designed as a guide. Please consult Robinhood customer services if unsure. For NZ phone 0800 760 667 or [www.robinhood.co.nz](http://www.robinhood.co.nz). For AUS phone 1800 648 556 or [www.robinhood.com.au](http://www.robinhood.com.au).

## Installation position



A **Minimum** height from the hob surface to the underside face of the rangehood  
**600mm** electric hob  
**650mm** gas hob

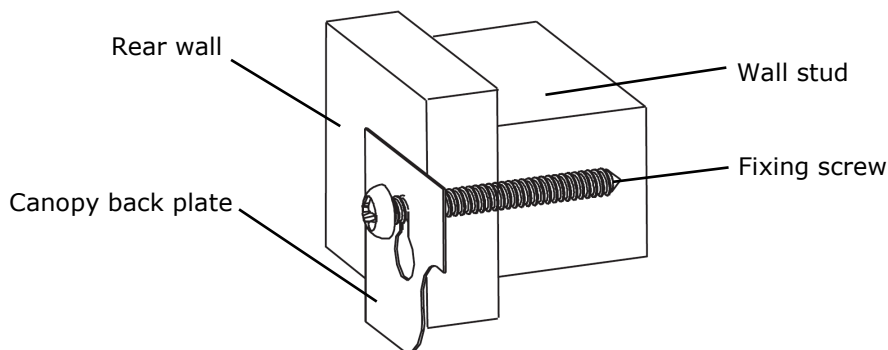
**Notes: If the instructions for the gas hob specify a greater distance, this has to be taken into account.  
Any installation above 750mm will compromise performance.**

B Vertical height from bottom of rangehood to mounting screws  
**272mm for RWA3CF9SS, RWA3CF12SS**  
**313mm for RWB3CF9SS, RWB3CF12SS**

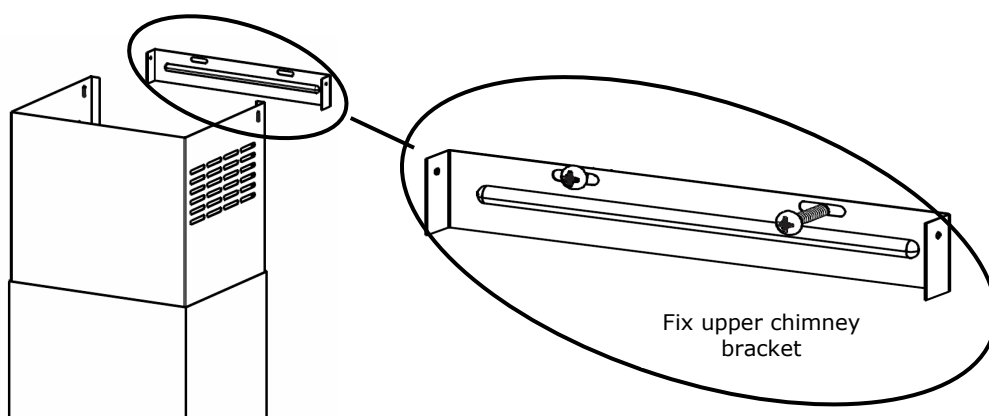
C Distance between 2 mounting screw holes in the back plate of the rangehood  
**230mm for all models: RWA3CF9SS, RWA3CF12SS, RWB3CF9SS, RWB3CF12SS**

## Installation

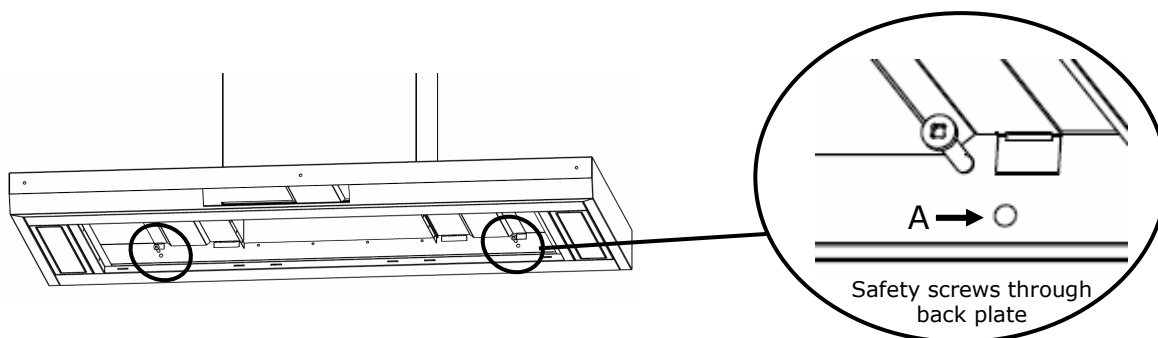
Mounting to a stud is recommended. However, if fitted to other wall linings (plasterboard, concrete etc) suitable fixings will be required. Before drilling any holes check that the wall and ceiling are clear of any electrical cables, pipes etc.



1. Pre drill pilot holes in the positions given (Pg. 4 - Installation position). Fix the mounting screws using a screw driver and ensure the screws are securely fitted to the wall. Check with a spirit level to ensure the screws are level.
2. Mark the position of the decorative chimney at the ceiling and wall. Cut the cornice moulding away if required, to enable the chimney to sit flush against the wall and ceiling.
3. **Only if ducting** - Mark and cut out the hole in the ceiling / wall to fit the ducting (160mm dia max). Warning: If drilling through ceiling, ensure the ducting hole will be fully covered by upper chimney.
4. Use the upper chimney bracket as template to mark the fixing screw positions. Then fix the upper chimney bracket to the wall, checking that is central about the canopy body.

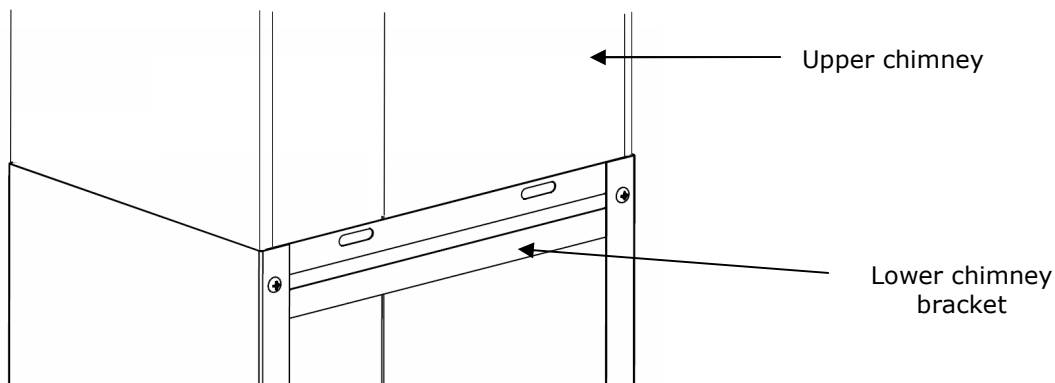


5. Remove the protective plastic covering from all parts including the filters. Fit the canopy hood onto the mounting screws.
6. Remove filters. Fix the two safety screws through safety screw holes (A) of the back plate into the wall.

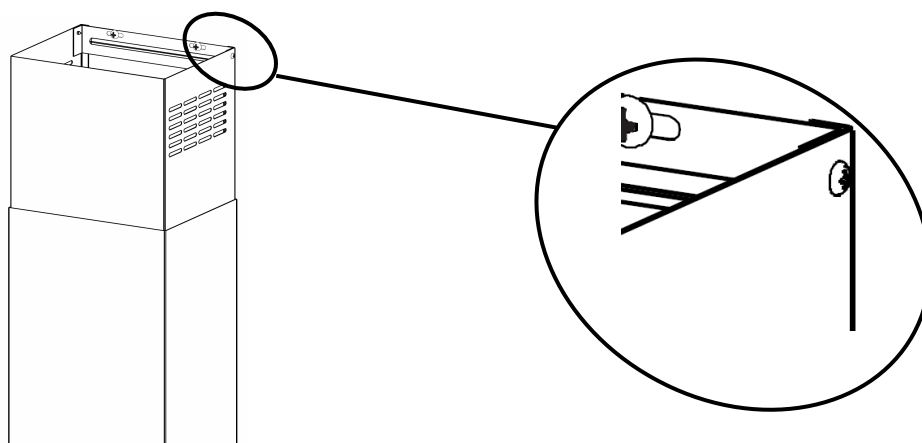


## Installation - *continued*

7. Connect and secure the ducting (use duct tape if required).
8. Insert the upper chimney piece into the lower chimney piece. Assemble the lower chimney bracket onto the lower chimney using screws provided and ensure the bracket holds both chimney pieces. Do not fully tighten the screws as some adjustments are required in step 9.



9. Place the chimney assembly onto the canopy body. Extend the upper chimney to the fixed upper chimney bracket (Pg. 5 Installation) and secure them together as shown in the picture below.



10. Refit filters. Connect to the power supply and switch on the power to the canopy hood.

## Recirculation mode

1. This unit can be installed to operate in recirculation mode where ducting is not a chosen/desired or practical option. There are recirculation grilles fitted on each side of the upper chimney which allow the cleansed air to return to the kitchen. Ensure that the side outlet grilles are not obstructed. Even a partial obstruction will restrict the efficiency of the rangehood.
2. Replace aluminium filters with charcoal filters (Pg. 9 Parts & Accessories list).

## Operating Instructions

### Control icons



Pictured: Capacitive touch icons

#### Notes:

- Touch entire icon(s): a short beep will indicate a functional operation.
- Allow approximately 2 seconds for the canopy motor to start.

#### Power icon

Touch the power icon to turn the canopy motor on or off.  
The motor will resume the speed to which it was previously set.

#### Speed 1, 2, 3 icons

The canopy motor can be switched on by touching either 1, 2 or 3.  
Press 1, 2 or 3 to increase or decrease speed.

#### Light icon

Touch the light icon to turn the canopy lights on or off.  
The brightness will resume at the level to which it was previously set.  
Once on, touch and hold the icon for more than 1 second to increase or decrease the brightness.  
The lamp is adjustable in 10 steps from mood lighting to fully bright.  
Mood lighting to fully bright is indicated by a succession of short beeps.

#### Timer icon

The timer is used to enable the canopy motor to continue operating for a short period after cooking has finished.  
Touch the timer icon to start a countdown from 10 minutes.  
The icon will flash to indicate timer functioning.  
After 10 minutes the motor will stop and the canopy lights (if on) will switch off.  
The countdown can be cancelled at any time during the 10 minute period by touching the icon again.

#### Filter cleaning reminder mode +

This function acts as a reminder to clean the filters. It can be set in 20 hour increments, from 20 to 100 hours.  
Touch and hold the power and timer icons to set the filter cleaning interval. To indicate 20 hours the control panel will beep and flash twice. To indicate 40 hours, the control panel will beep and flash four times. Repeating this operation will increase the interval up to a maximum of 100 hours (ten beeps and flashes).  
The interval to set between cleaning depends on the frequency of use and cooking style.

#### Note:

- This filter cleaning reminder mode can be turned off, which is the next setting after the '100 hours setting' with a long beep.

### Filter cleaning reminder mode - *continued*

When filters need cleaning, warning beeps will sound (short sequence of beeps for 2 seconds every 2 minutes). Touching any icon will stop this warning and reset the count down.

**Note:**

- If the power to the canopy is disconnected the filter cleaning memory is lost and will need to be reset.

### Control panel back-lighting +

The control panel icons are backlit by default.

Touch and hold the power and light icons together for more than 2 seconds to switch this feature off / on

## Cleaning and Maintenance

### General Maintenance

**Switch off the canopy before cleaning or maintenance.** To prevent surface damage never use abrasive or oil based liquid cleaners. To clean the surfaces of the appliance, use mild detergent and warm water or a micro fibre cloth. In areas of high humidity and coastal environments cleaning should be carried out frequently.

**Warning:** a build up of oil may occur if the canopy is not cleaned regularly.

### Filter Maintenance

To maintain efficiency, the filters should be removed regularly (approximately monthly), and washed using hot soapy water or the dishwasher.

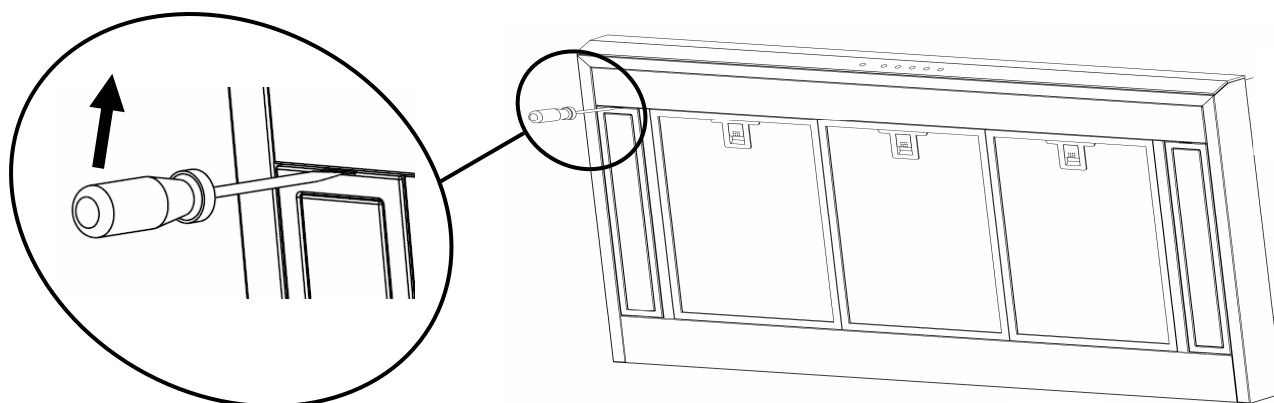
**Note:** some discolouration of the aluminium mesh may occur if washed in the dishwasher.

Rangehoods fitted with charcoal filters are designed to remove grease and odours from cooking vapours prior to the cleansed air re-entering the kitchen (when the rangehood is in recirculation mode). Charcoal filters should be replaced every two to four months depending on use and cooking style.

**Note:** Fully saturated charcoal filters can become a barrier to air movement therefore limiting rangehood performance. In the event of fire, grease laden filters could be flammable so regular replacement is recommended.

### Replacement of fluorescent tubes

To replace a tube, first disconnect the rangehood from the power supply. Use a small blade screwdriver to prise off the lamp cover. **Care must be taken to avoid the lamp cover falling on to the hob top.** The fluorescent tube is a push fit into the tube socket. Insert the replacement tube into the tube socket and refit the lamp cover.



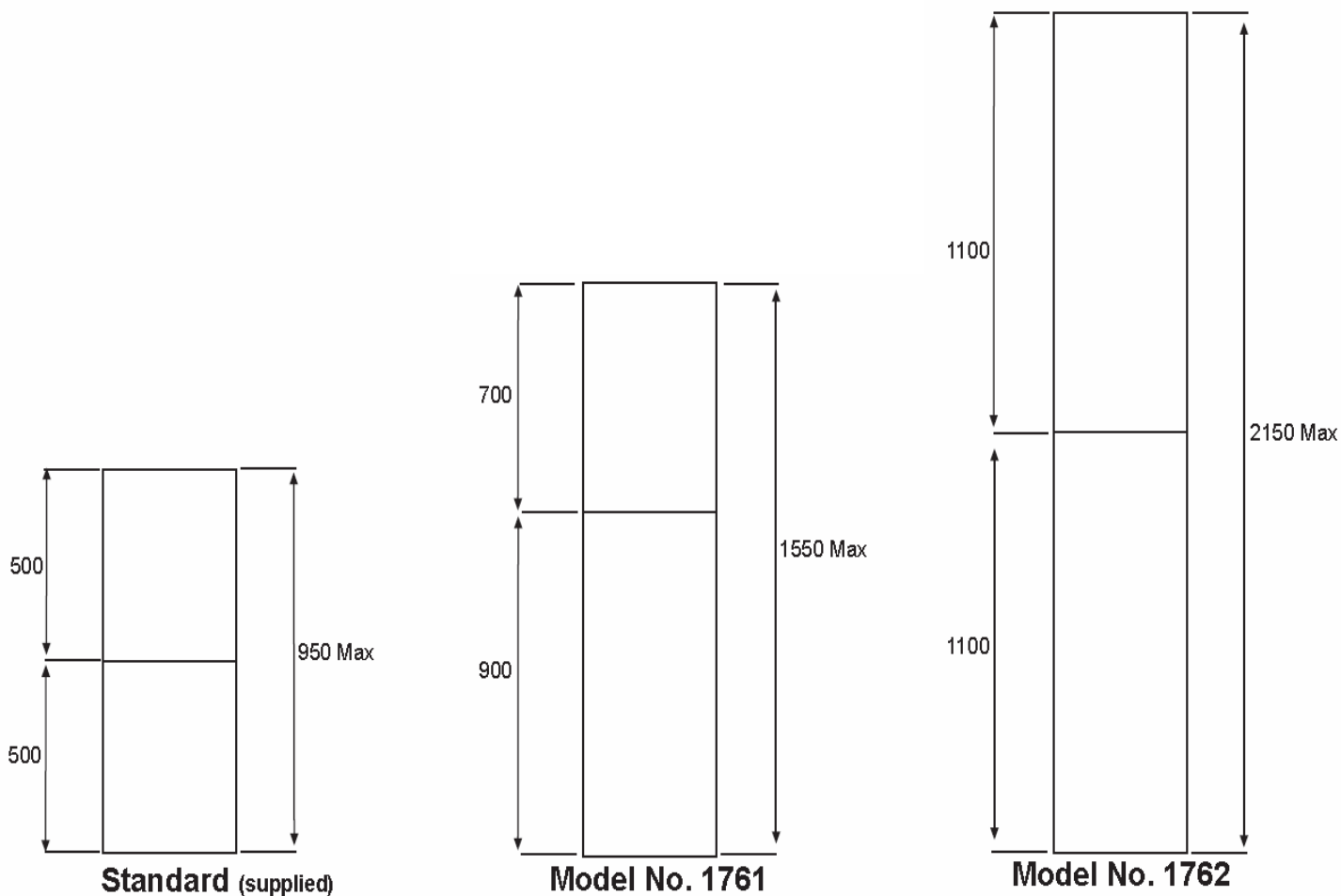
### Parts and Accessories list

- Charcoal filter pack of 3 (900 models) 2514
- Charcoal filter pack of 3 (1200 models) 2515
- Chimney extension 1550mm for 3048mm 10 ft ceiling 1761
- Chimney extension 2150mm for 3658mm 12 ft ceiling 1762
- Fluorescent tube 12V 24W 114287

For any other problems please call help line on NZ 0800 760 667 or AUS1800 648 556

### Chimney Extensions

#### RWA RWB (all models) Chimney Extension Options



**Note:** When the maximum chimney height is to be used, there will be a 50mm overlap required for top and bottom chimney assembly.

## Product Approvals and Ratings

Product approval number	V08309
Product rating	350W (1.49A) Max at 240V 50Hz
Electric approval AS/NZS	60335.2.31:2004
EMC AS/NZS	CISPR14:2001
Performance tested	IEC61591

## Important safety information

- **This appliance is not intended for use by persons (including children) with reduced physical, sensory or mental capabilities, or lack of experience and knowledge, unless they have been given supervision or instruction concerning use of the appliance by a person responsible for their safety.**
- **Young children should be supervised to ensure that they do not play with the appliance.**
- **There shall be adequate ventilation of the room when the rangehood is used at the same time as appliances burning gas or other fuels.**
- **You must read the details concerning the method and frequency of cleaning.**
- **There is a fire risk if cleaning is not carried out in accordance with the instructions.**
- **Do not flambé under the rangehood.**
- **Exhaust air must not be discharged into an existing flue which is used for exhausting fumes from appliances burning gas or other fuels.**
- **The minimum distance between the hob surface and the lowest part of the rangehood is 600mm. This distance shall be at least 650mm, if the rangehood is installed over a gas hob. If the instructions for the gas hob specify a greater distance, this has to be taken into account.**
- **Attention should be given to ensure that any applicable regulations concerning the discharge of exhaust air is fulfilled.**
- **If the supply cord of this equipment is damaged, it must only be replaced by the manufacturer or its service agent or a similarly qualified person in order to avoid a hazard.**

## Warranty Certificate (New Zealand)

### Terms and Conditions

The following conditions apply in respect of the warranty given in this certificate:

1. Robinhood Limited ("Robinhood") warrants the following products against manufacturing defects and faulty materials, under normal use and subject to the exclusions in this certificate, for a period of:  
under normal use and subject to the exclusions in this certificate, for a period of:  
**Rangehood** – 24 months from date of original purchase for domestic use.  
**Uniduct** – 12 months from date of original purchase for domestic use.  
**Ironing centre** – 12 months from date of original purchase for domestic use.  
"Original purchase", when used in this certificate, means purchase by the customer directly from Robinhood Limited or one of its approved suppliers.
2. This warranty is limited to the repair or replacement, at Robinhood's option, within the warranty period of any component part which Robinhood at its discretion determines to contain faulty materials or a manufacturing defect in breach of this warranty. This warranty is subject to terms and conditions set out in this certificate.
3. The warranty only applies within New Zealand.
4. The customer must produce the original invoice or other purchase documentation as proof of the original purchase date.

### Warranty exclusions

1. The warranty does not apply where, in the opinion of Robinhood:  
The defect is caused by misuse, wear and tear, dirt, fire or accidental damage.  
The product has been repaired or serviced by an unauthorised person.  
The product was not installed in accordance with Robinhood instructions.  
The product was purchased overseas or was not designed for use in New Zealand.  
The product was not used, cleaned or cared for in accordance with Robinhood's instructions.  
The product was used outdoors.
2. In addition, this warranty does not extend to damage or defects which in Robinhood's opinion, directly or indirectly arise from or are due to:  
Exposing the product to acidic or corrosive materials or chemicals such as dyes, solvents, denture cleaner or acetone;  
Using inappropriate household cleaning products such as abrasive cream or powder cleansers, furniture polish, bleach, mentholated spirits, drain cleaners, sugar soap, metal pads and strongly alkaline or acidic cleaners;  
Heat damage, including from washing the product at high temperatures;  
Impact or mishandling the product, including the impact caused by objects scraped along, thrown or dropped on the product surface or excessive weight being placed on the product;  
Structural or support changes in or affecting the building or the application where the product has been installed;  
Failure to clean or maintain the product as recommended; or  
any other causes specified in the product information as being excluded from this warranty.
3. Variations with the colour or gloss within the product or any ageing or fading of colour, shine or gloss level over time are not covered by this warranty. The warranty does not cover visual imperfections or blemishes in the surface and edges of the product that were not brought to your supplier's attention at the time you inspected the product.
4. Costs incurred on installation or removal of a product, or any reinstallation of a product, or any associated costs, are not covered by this warranty.
5. Robinhood will not be liable for consequential or indirect loss or damage whatsoever and however arising out of or in connection with the supply, performance or removal of the product, including (but not limited to) loss of profit, loss of revenue, loss of contract, loss of goodwill or increased cost of workings, even if due to the negligence of Robinhood or any of its approved suppliers, employees or agents.
6. Charcoal filters and light bulbs are not covered by this warranty
7. This warranty and the statements contained in this certificate or other Robinhood documents given to you do not exclude, restrict or modify the application of any term implied into this warranty by statute, provided that (to the extent any statutory provision permits Robinhood to limit its liability for a breach of an implied condition or warranty) Robinhood's liability for such breach is limited to the payment of the cost of replacing the product, repairing the product or acquiring an equivalent product.
8. Subject to clause 5, the obligations of Robinhood under this warranty are limited to those set out in this certificate, and this warranty is expressly instead of all other warranties, express or implied, including any implied warranty of merchantability or fitness for a particular purpose and notwithstanding any course of dealing between the parties or custom and usage in trade to the contrary.

Should warranty service be required, please contact Robinhood:

Free Phone: 0800 760 667

Free Fax: 0800 276 246

Email: [enquiries@robinhood.co.nz](mailto:enquiries@robinhood.co.nz)

Website: [www.robinhood.co.nz](http://www.robinhood.co.nz)

Terms and conditions are subject to change without notice

## Warranty Certificate (Australia)

### Terms and Conditions

The following conditions apply in respect of the warranty given in this certificate:

1. Robinhood Limited ("Robinhood") warrants the following products against manufacturing defects and faulty materials, under normal use and subject to the exclusions in this certificate, for a period of:  
under normal use and subject to the exclusions in this certificate, for a period of:  
**Rangehood** – 24 months from date of original purchase for domestic use.  
**Uniduct** – 12 months from date of original purchase for domestic use.  
**Ironing centre** – 12 months from date of original purchase for domestic use.  
"Original purchase", when used in this certificate, means purchase by the customer directly from Robinhood Limited or one of its approved suppliers.
2. This warranty is limited to the repair or replacement, at Robinhood's option, within the warranty period of any component part which Robinhood at its discretion determines to contain faulty materials or a manufacturing defect in breach of this warranty. This warranty is subject to terms and conditions set out in this certificate.
3. The warranty only applies within Australia.
4. The customer must produce the original invoice or other purchase documentation as proof of the original purchase date.

### Warranty exclusions

1. The warranty does not apply where, in the opinion of Robinhood:  
The defect is caused by misuse, wear and tear, dirt, fire or accidental damage.  
The product has been repaired or serviced by an unauthorised person.  
The product was not installed in accordance with Robinhood instructions.  
The product was purchased overseas or was not designed for use in Australia.  
The product was not used, cleaned or cared for in accordance with Robinhood's instructions.  
The product was used outdoors.
2. In addition, this warranty does not extend to damage or defects which in Robinhood's opinion, directly or indirectly arise from or are due to:  
Exposing the product to acidic or corrosive materials or chemicals such as dyes, solvents, denture cleaner or acetone;  
Using inappropriate household cleaning products such as abrasive cream or powder cleansers, furniture polish, bleach, mentholated spirits, drain cleaners, sugar soap, metal pads and strongly alkaline or acidic cleaners;  
Heat damage, including from washing the product at high temperatures;  
Impact or mishandling the product, including the impact caused by objects scraped along, thrown or dropped on the product surface or excessive weight being placed on the product;  
Structural or support changes in or affecting the building or the application where the product has been installed;  
Failure to clean or maintain the product as recommended; or  
any other causes specified in the product information as being excluded from this warranty.
3. Variations with the colour or gloss within the product or any ageing or fading of colour, shine or gloss level over time are not covered by this warranty. The warranty does not cover visual imperfections or blemishes in the surface and edges of the product that were not brought to your supplier's attention at the time you inspected the product.
4. Costs incurred on installation or removal of a product, or any reinstallation of a product, or any associated costs, are not covered by this warranty.
5. Robinhood will not be liable for consequential or indirect loss or damage whatsoever and however arising out of or in connection with the supply, performance or removal of the product, including (but not limited to) loss of profit, loss of revenue, loss of contract, loss of goodwill or increased cost of workings, even if due to the negligence of Robinhood or any of its approved suppliers, employees or agents.
6. Charcoal filters and light bulbs are not covered by this warranty
7. This warranty and the statements contained in this certificate or other Robinhood documents given to you do not exclude, restrict or modify the application of any term implied into this warranty by statute, provided that (to the extent any statutory provision permits Robinhood to limit its liability for a breach of an implied condition or warranty) Robinhood's liability for such breach is limited to the payment of the cost of replacing the product, repairing the product or acquiring an equivalent product.
8. Subject to clause 5, the obligations of Robinhood under this warranty are limited to those set out in this certificate, and this warranty is expressly instead of all other warranties, express or implied, including any implied warranty of merchantability or fitness for a particular purpose and notwithstanding any course of dealing between the parties or custom and usage in trade to the contrary.

Should warranty service be required, please contact Robinhood:

Free Phone: 1800 648 556

Free Fax: 1800 628 577

Email: [enquiries@robinhood.com.au](mailto:enquiries@robinhood.com.au)

Website: [www.robinhood.com.au](http://www.robinhood.com.au)

Terms and conditions are subject to change without notice

#### New Zealand

Robinhood Ltd

Telephone: 0800 760 667

Facsimile: 0800 276 246

Email: [enquiries@robinhood.co.nz](mailto:enquiries@robinhood.co.nz)

[www.robinhood.co.nz](http://www.robinhood.co.nz)

#### Australia

Robinhood PTY Ltd

Telephone: 1800 648 556

Facsimile: 1800 628 577

Email: [enquiries@robinhood.com.au](mailto:enquiries@robinhood.com.au)

[www.robinhood.com.au](http://www.robinhood.com.au)

