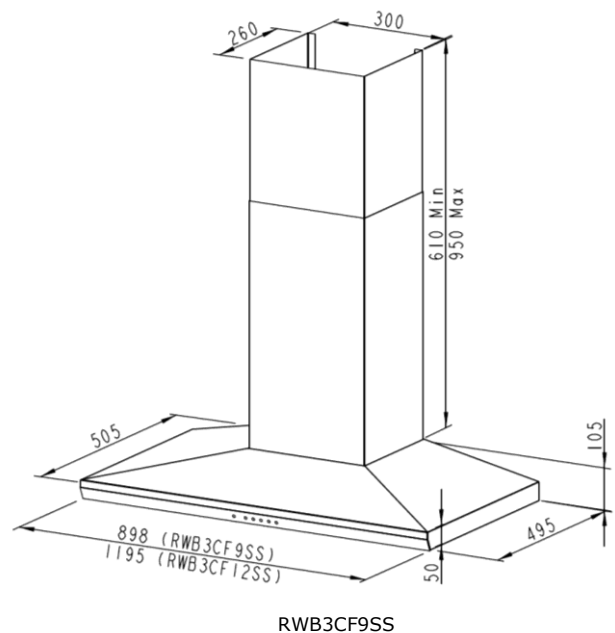
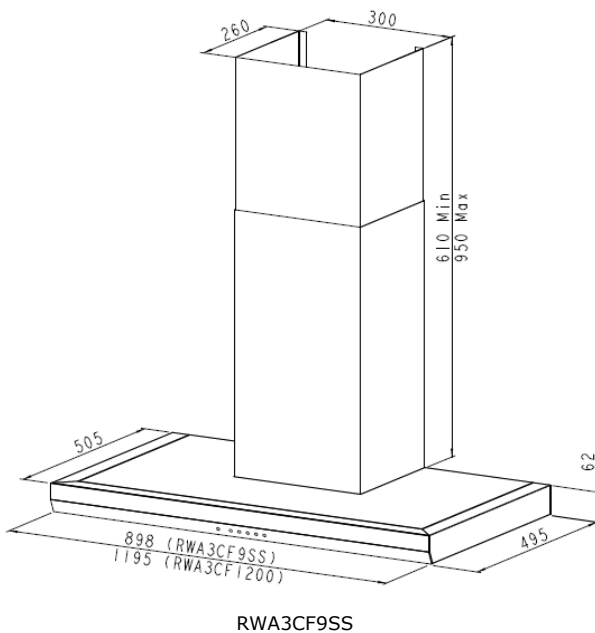


Description: **ROBINHOOD WALL CANOPY**
 Model Number: **RWA3CF9SS, RWA3CF12SS**
RWB3CF9SS, RWB3CF12SS

Typical design



Features and benefits

- **Dimmable light with separate switch**

Now you can select exactly the right level of light for cooking, and then dim it down for mood lighting when it's time to dine. Dimmable fluorescent lighting provides outstanding illumination of the cooking area and operates on its own switch, so you can have the light without the fan running.

- **Capacitive touch switching**

Backlit touch-screen switches with a green LED display are easy to view and use. Cleaning is a simple wipe over because the switch panel is completely flat and smooth.

- **Sleek design adds style to your kitchen**

Precisely manufactured in stainless steel and glass, this sleek canopy rangehood has been designed to provide years of tireless service. As a key feature in your kitchen, its clean lines are compatible with most styles of interior design.

- **Automatic filter cleaning reminder**

You can set a 'filter clean' reminder function to 20, 40, 60, 80 or 100 hours. An LED display and beep alert will tell you when it's time to clean the micromesh filters. If you are recirculating, this reminder function will tell you when it's time to replace the charcoal filters.

- **Three-speed extraction with timer function**

Powerful extraction fan can be set to high, medium or low to match the type of cooking you're doing. You can also set the timer function to automatically turn the rangehood off after 10 minutes – very handy when it's time to serve.

- **Recirculation if you can't duct**

In situations where ducting isn't possible, this rangehood can be fitted with charcoal filters that effectively cleanse the air before returning it to the kitchen.

- **Large grease catchments filters**

Three multi-layered micromesh filters effectively trap grease. They're simple to remove and are easily maintained with a regular clean in the dishwasher.

- **Turns off if the worst happens**

If you have a cooking disaster, and something catches fire, the rangehood automatically switches off to prevent flames and sparks being sucked into the ducting or ceiling. Product incorporates a thermal overload function that senses extreme heat and disconnects power to the motor temporarily.

Specifications

Technical data:

- 3 speed centrifugal motor: 330watts, Class F, 10uF/450V
- 2 x 24 Watt dimmable fluorescent lamps
- Maximum power consumption: 350 watts @ 240Volt, 50 Hz
- Gauge of steel: 0.6mm (RWA3CF9SS, RWA3CF12SS, RWB3CF9SS); 0.8mm (RWB3CF12SS)
- Type of steel (all models): 430 stainless steel
- Finish of steel (all models): brush number 4
- Tested to EMC AS/NZS – CISPR14:2001
- Electrical approval AS/NZS 60335.2.31:2004
- Performance tested to IEC61591
- Filter specifications: Multi-layered micro mesh
- Length of power cord: 1850mm
- Ducting outlet: 150mm diameter – top ducting
- Recirculation option through top duct outlet

Gross weight: RWA3CF9SS 19.0kg. RWA3CF12SS 24.0kg. RWB3CF9SS 17.2kg. RWB3CF12SS 22.4kg.

Carton Volume: RWA3CF9SS 0.233m³. RWBCF9SS 0.233 m³. RWA3CF12SS 0.306m³. RWB3CF12SS 0.306m³

Carton dimensions: RWA3CF9SS 960 x 430 x 565mm. RWA3CF12SS 1260 x 430 x 565mm.

RWB3CF9SS 960 x 470 x 565mm. RWB3CF12SS 1260 x 470 x 565mm.

Canopy body dimensions: RWA3CF9SS 898 x 505 x 62mm. RWA3CF12SS 1195 x 505 x 62mm.

RWB3CF9SS 898 x 505 x 105mm. RWB3CF12SS 1195 x 505 x 105mm.

Chimney dimensions: 300 x 260 x 500mm for upper chimney for all models.

300 x 260 x 500mm for lower chimney for all models.

Performance data:

○ RWA3CF9SS

○ RWB3CF9SS

Fan speed 1	470m ³ /hr	Fan speed 1	470m ³ /hr
Fan speed 2	690m ³ /hr	Fan speed 2	690m ³ /hr
Fan speed 3	840m ³ /hr	Fan speed 3	840m ³ /hr
Noise speed 1	56.3dB	Noise speed 1	56.3dB
Noise speed 2	65.3dB	Noise speed 2	65.3dB
Noise speed 3	70.4dB	Noise speed 3	70.4dB

○ RWA3CF12SS

○ RWB3CF12SS

Fan speed 1	470m ³ /hr	Fan speed 1	470m ³ /hr
Fan speed 2	690m ³ /hr	Fan speed 2	690m ³ /hr
Fan speed 3	840m ³ /hr	Fan speed 3	840m ³ /hr
Noise speed 1	56.3dB	Noise speed 1	56.3dB
Noise speed 2	65.3dB	Noise speed 2	65.3dB
Noise speed 3	70.4dB	Noise speed 3	70.4dB

New Zealand

Robinhood Ltd

Telephone: 0800 760 667

Facsimile: 0800 276 246

Email: enquiries@robinhood.co.nz

www.robinhood.co.nz

Australia

Robinhood PTY Ltd

Telephone: 1800 648 556

Facsimile: 1800 628 577

Email: enquiries@robinhood.com.au

www.robinhood.com.au

