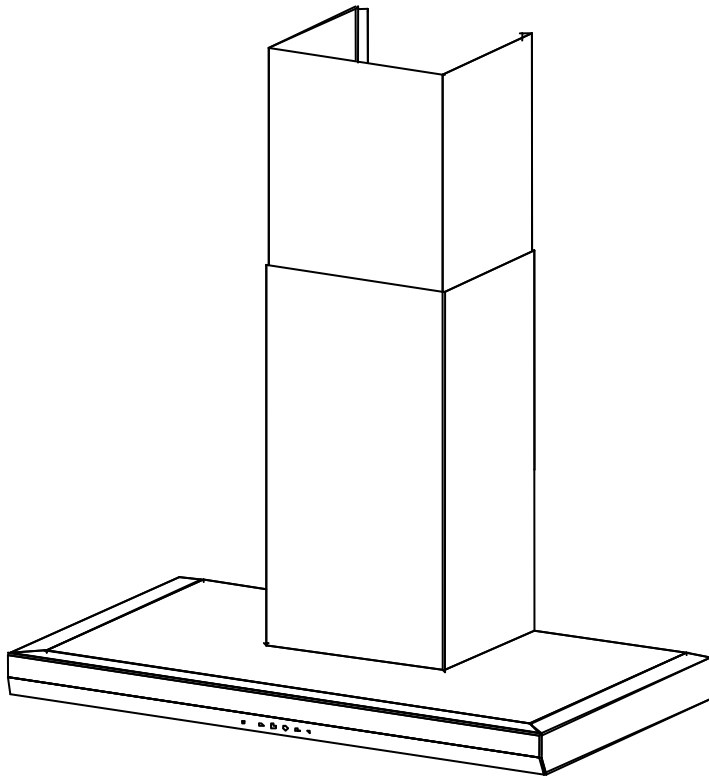
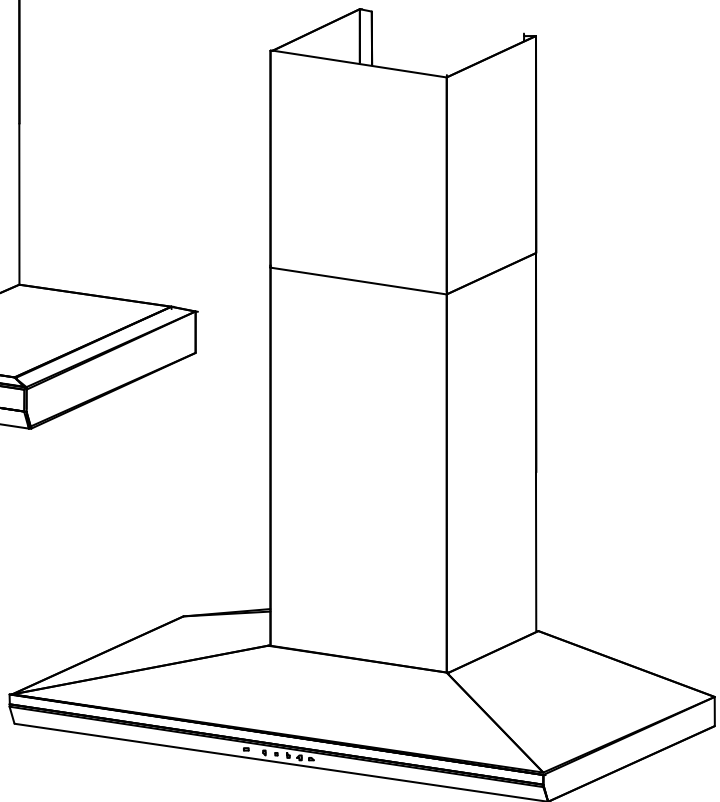


Description: **ROBINHOOD WALL CANOPY**  
Model Number: **RWA3CF9SS, RWA3CF12SS**  
**RWB3CF9SS, RWB3CF12SS**

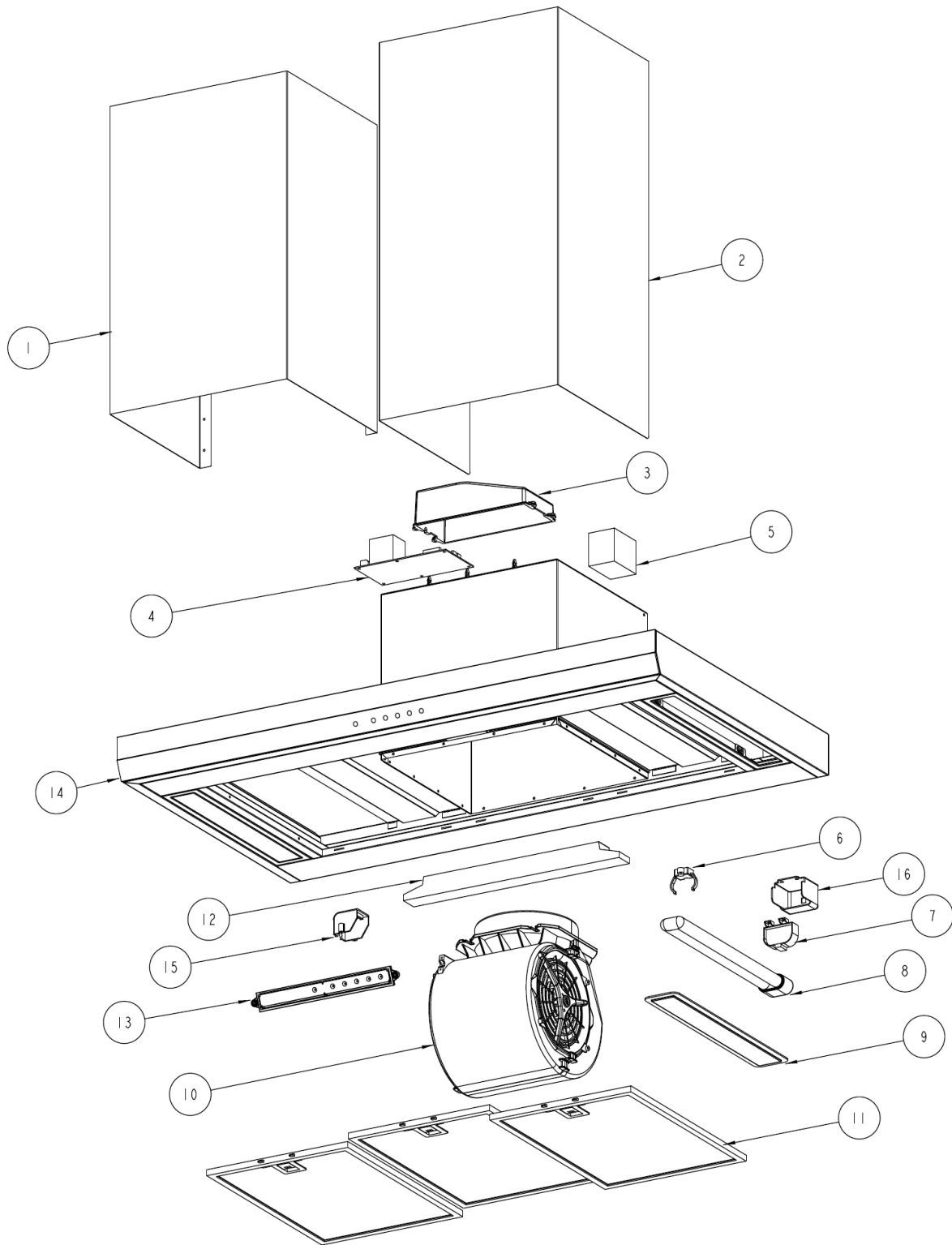


**RWA3CF9SS**



**RWB3CF9SS**

# Exploded view

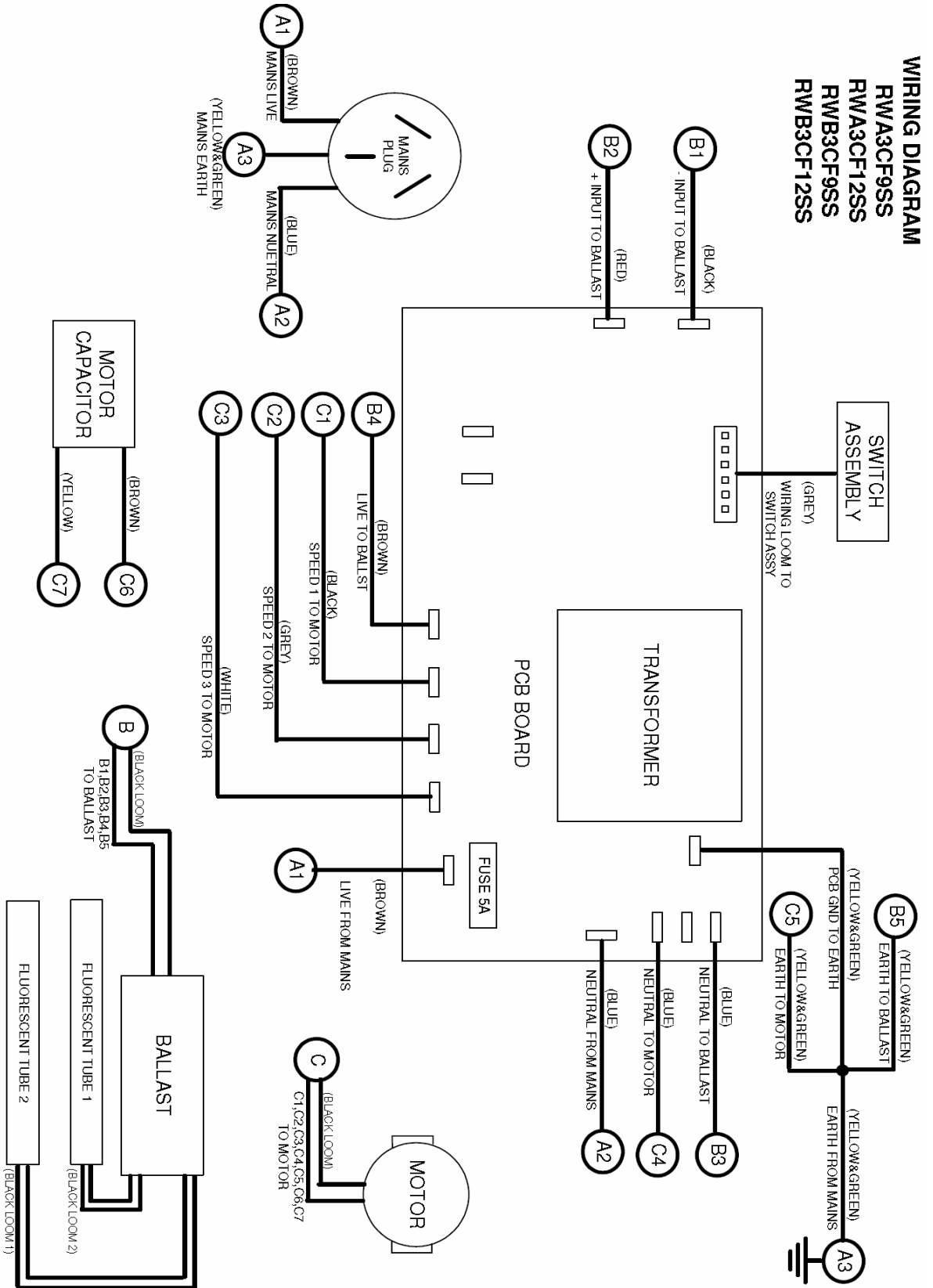


Model pictured: **RWA3CF9SS**

Item	Description	Part number
<b>1</b>	Upper chimney	114280
<b>2</b>	Lower chimney	114281
<b>3</b>	PCB cover	114282
<b>4</b>	PCB board	114283
<b>5</b>	Motor capacitor cover box	114298
<b>N/S</b>	Motor capacitor	114284
<b>6</b>	Fluorescent tube clip	114285
<b>7</b>	Fluorescent tube socket	114286
<b>8</b>	Fluorescent tube	114287
<b>9</b>	Lamp cover/ frame with glass	114288
<b>10</b>	3-speed motor	114289
<b>11</b>	Charcoal filter pack of 3 (900 models)	2514
	Charcoal filter pack of 3 (1200 models)	2515
	Single standard filter (900 models)	114302
	Single standard filter (1200 models)	114303
<b>12</b>	Dimmable ballast	114292
<b>13</b>	Touch sensitive switch assembly (pcb and cable)	114293
<b>14</b>	Front panel glass (900 models)	114294
	Front panel glass (1200 models)	114295
<b>15</b>	Ballast terminal cover	114300
<b>16</b>	Fluorescent tube socket cover	114301
<b>N/S</b>	Wiring loom for switch box	114297
<b>N/S</b>	10'/3048mm Chimney extension kit (all models)	1761
	12'/3658mm Chimney extension kit (all models)	1762
<b>N/S</b>	Installation kit (mounting brackets and screws)	114296
<b>N/S</b>	Chimney bracket	114307
<b>N/S</b>	Power cord	114299

**N/S = Not Shown**

# Wiring diagram



## New Zealand

Robinhood Ltd  
 Telephone: 0800 760 667  
 Facsimile: 0800 276 246  
 Email: enquiries@robinhood.co.nz  
 www.robinhood.co.nz

## Australia

Robinhood PTY Ltd  
 Telephone: 1800 648 556  
 Facsimile: 1800 628 577  
 Email: enquiries@robinhood.com.au  
 www.robinhood.com.au