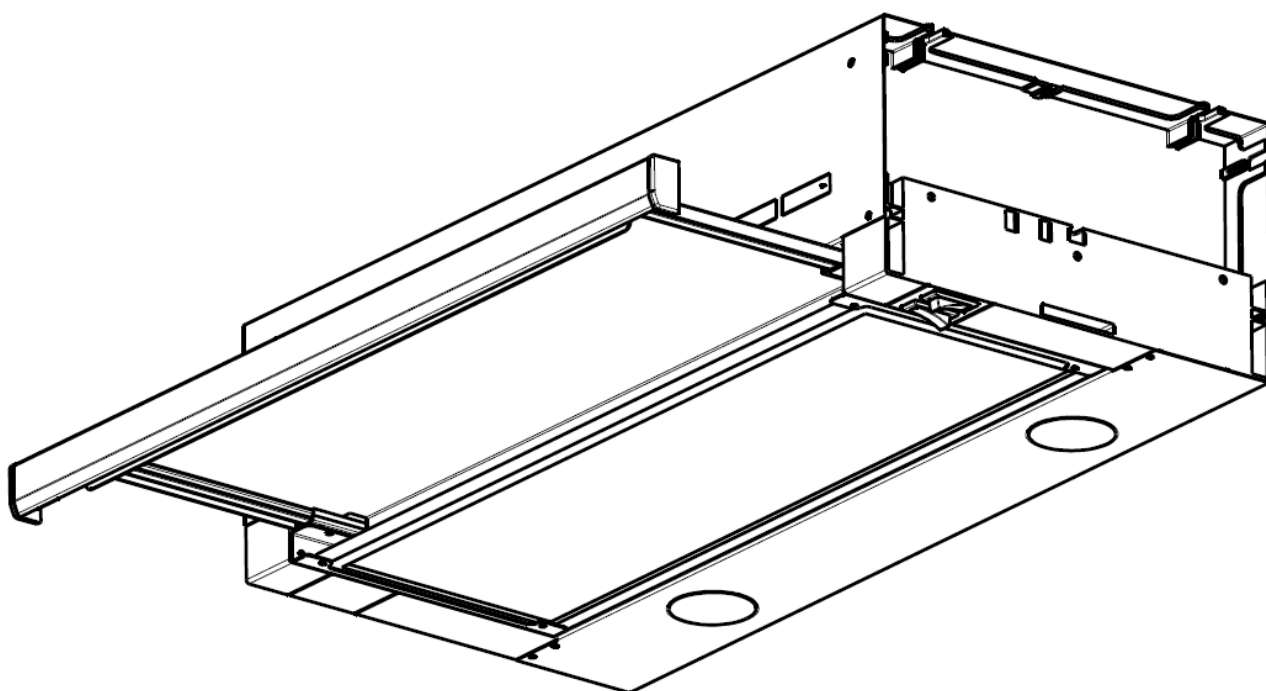
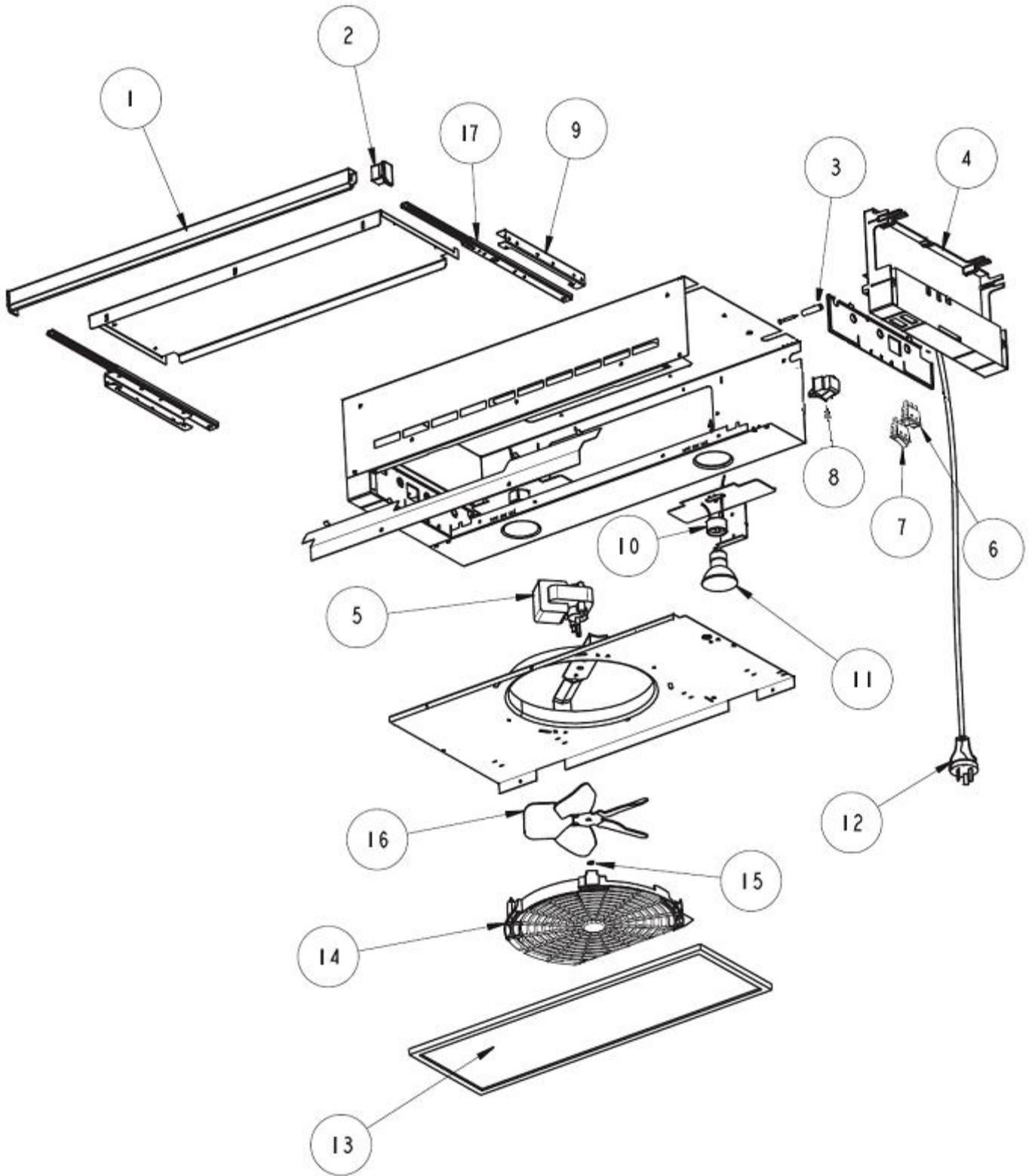


Description: **ROBINHOOD SLIDEOUT**
Model Number: **RO6WH, RO6SS, RO9WH, RO9SS**
RO61WH, RO61SS, RO91WH, RO91SS
RO6WH80, RO6SS80
RO61WH80, RO61SS80



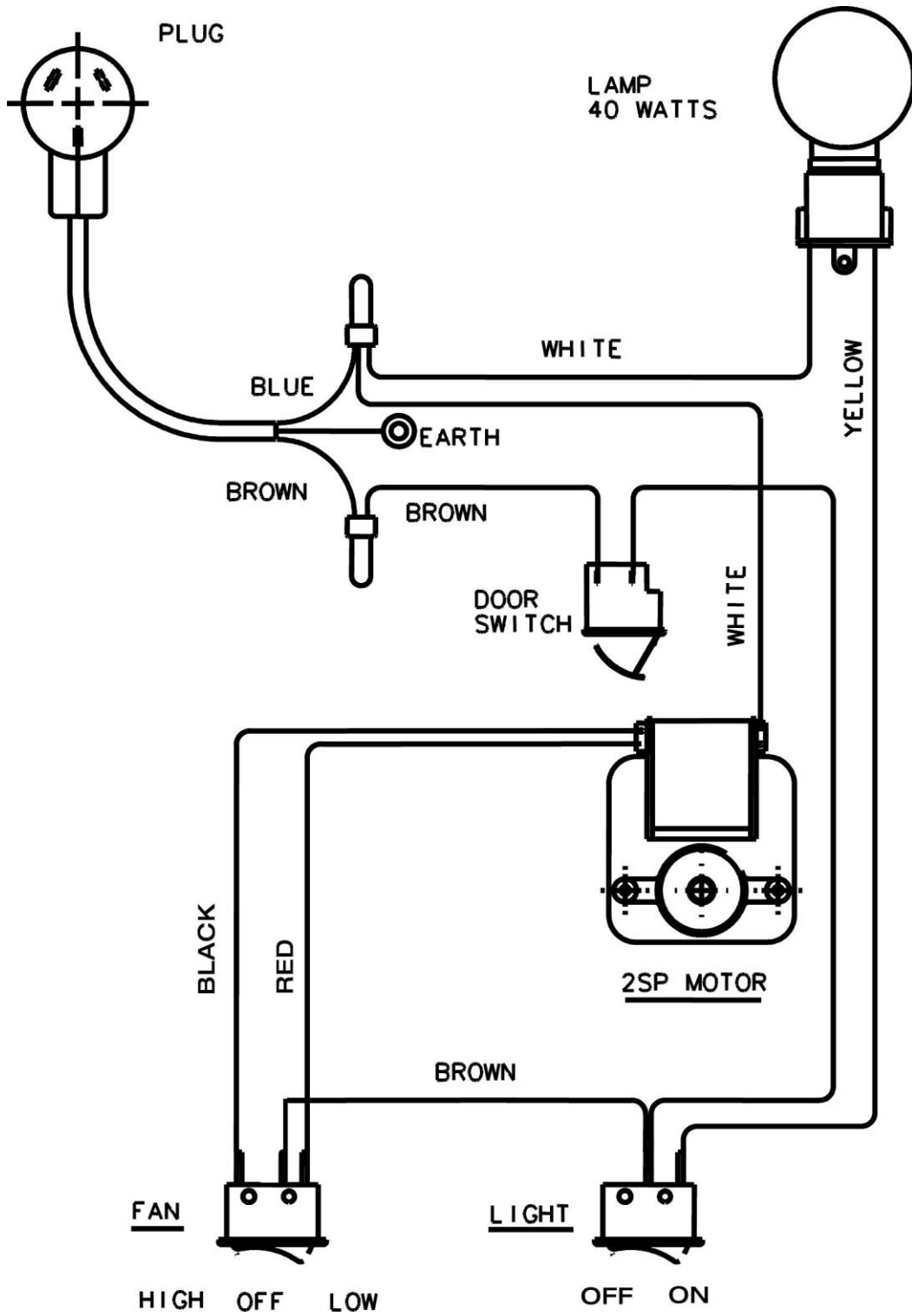
Model pictured: **RO6WH/SS RO61WH/SS**

Exploded view

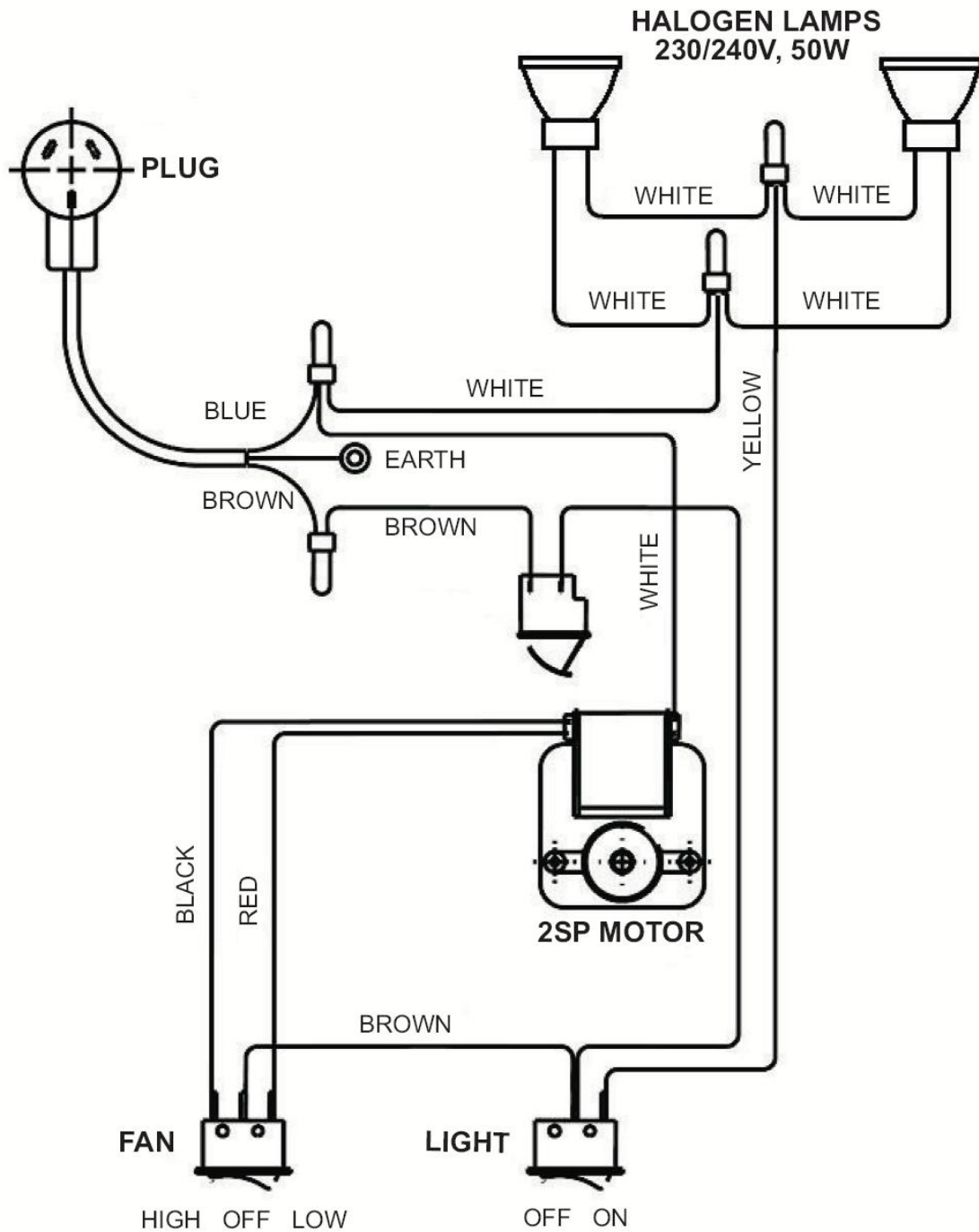


| Item | Description | Part number | |
|-----------|--|-------------------------|-------------------------|
| | | RO6WH(80) RO61WH(80) | RO6SS(80) RO61SS(80) |
| 1 | Front Handle 32mm | 103774WH | 103775SS |
| | Front Handle 80mm | 103769WH | 103769SS |
| 2 | End Cap 32mm (<i>If manufactured post 31/7/09</i>) | 103778WH | 103778GY |
| | End Cap 32mm (<i>If manufactured between 8/9/08 and 31/7/09</i>) – confirm colour | | 103778BL or 103778WH |
| | End Cap 32mm (<i>If manufactured pre 8/9/08</i>) | | 103778BL |
| | End Cap 80mm(<i>If manufactured post 31/7/09</i>) | 103677WH | 103677GY |
| | End Cap 80mm (<i>If manufactured between 8/9/08 and 31/7/09</i>) – confirm colour | | 103677WH or 103677BL |
| | End Cap 80mm (<i>If manufactured pre 8/9/08</i>) | | 103677BL |
| 3 | Side Fixing Screw and Hollow Dowel Kit (4 pieces) | 111053 | |
| 4 | Side plastic kit includes both sides, inner covers and rocker switches (<i>If manufactured post 31/7/09</i>) | 111048 | 111049 |
| | Side plastic as above (<i>If manufactured between 8/9/08 and 31/7/09</i>) – confirm colour | | 111048 or 111049 |
| | Side plastic kit as above (<i>If manufactured pre 8/9/08</i>) | | 111049 |
| 5 | Motor – 2 speed axial | 103673 | |
| 6 | Light Switch (<i>If manufactured post 31/7/09</i>) | 115015 | 115017 |
| | Light Switch (<i>If manufactured between 8/9/08 and 31/7/09</i>) – confirm colour | 103892 | 103892 or 103894 |
| | Light Switch (<i>If manufactured pre 8/9/08</i>) | 103892 | 103894 |
| 7 | Fan Switch (<i>If manufactured post 31/7/09</i>) | 115016 | 115018 |
| | Fan Switch (<i>If manufactured between 8/9/08 and 31/7/09</i>) – confirm colour | 103893 | 103893 or 103895 |
| | Fan Switch (<i>If manufactured pre 8/9/08</i>) | 103893 | 103895 |
| 8 | Door Switch | 102686 | |
| 9 | Slider Bracket (<i>If manufactured post 31/7/09</i>) | 103358WH | 103358WH |
| | Slider Bracket (<i>If manufactured between 8/9/08 and 31/7/09</i>) – confirm colour | | 103358WH or 103358BL |
| | Slider Bracket (<i>If manufactured pre 8/9/08</i>) | | 103358BL |
| 10 | Halogen lamp holder (<i>If manufactured post 21/4/08</i>) | 111021 | |
| | Halogen lamp holder (<i>If manufactured between 24/11/08 and 18/12/08</i>) | 111075 | |
| | Incandescent lamp holder (<i>If manufactured pre 21/4/08</i>) | 101104 | |
| 11 | Halogen Lamp (<i>If manufactured post 21/4/08</i>) | 111020 | |
| | Incandescent Lamp (<i>If manufactured pre 21/4/08</i>) | 102722 | |
| NS | Incandescent lamp diffuser (<i>If manufactured pre 21/4/08</i>) | 103125 | |
| 12 | Power Cord | 103821 | |
| 13 | Filter Aluminium Mesh 508 x 172 | 103794 | |
| | Filter Charcoal 508 x 172 | 1495 | |
| 14 | Finger Guard | 103943 | |
| 15 | E-Clip | 999084 | |
| 16 | Fan Blade | 102283 | |
| 17 | Sliding track | 102245 | |

| Item | Description | Part number | |
|------|--|-----------------|----------------------|
| | | RO9WH RO91WH | RO9SS RO91SS |
| 1 | Front Handle 32mm | 103776WH | 103777SS |
| 2 | End Cap (<i>If manufactured post 31/7/09</i>) | 103271WH | 103778GY |
| | End Cap (<i>If manufactured between 8/9/08 and 31/7/09</i>) – confirm colour | | 103271BL or 103271WH |
| | End Cap (<i>If manufactured pre 8/9/08</i>) | | 103778BL |
| 3 | Side Fixing Screw and Hollow Dowel Kit (4 pieces) | 111053 | |
| 4 | Side plastic kit includes both sides, inner covers and rocker switches (<i>If manufactured post 31/7/09</i>) | 111048 | 111049 |
| | Side plastic as above (<i>If manufactured between 8/9/08 and 31/7/09</i>) – confirm colour | | 111048 or 111049 |
| | Side plastic kit as above (<i>If manufactured pre 8/9/08</i>) | | 111049 |
| 5 | Motor – 2 speed axial | 103673 | |
| 6 | Light Switch (<i>If manufactured post 31/7/09</i>) | 115015 | 115017 |
| | Light Switch (<i>If manufactured between 8/9/08 and 31/7/09</i>) – confirm colour | 103892 | 103892 or 103894 |
| | Light Switch (<i>If manufactured pre 8/9/08</i>) | 103892 | 103894 |
| 7 | Fan Switch (<i>If manufactured post 31/7/09</i>) | 115016 | 115018 |
| | Fan Switch (<i>If manufactured between 8/9/08 and 31/7/09</i>) – confirm colour | 103893 | 103893 or 103895 |
| | Fan Switch (<i>If manufactured pre 8/9/08</i>) | 103893 | 103895 |
| 8 | Door Switch | 102686 | |
| 9 | Slider Bracket (<i>If manufactured post 31/7/09</i>) | 103358WH | 103358WH |
| | Slider Bracket (<i>If manufactured between 8/9/08 and 31/7/09</i>) – confirm colour | | 103358WH or 103358BL |
| | Slider Bracket (<i>If manufactured pre 8/9/08</i>) | | 103358BL |
| 10 | Halogen lamp holder (<i>If manufactured post 21/4/08</i>) | 111021 | |
| | Halogen lamp holder (<i>If manufactured between 24/11/08 and 18/12/08</i>) | 111075 | |
| | Incandescent lamp holder (<i>If manufactured pre 21/4/08</i>) | 101104 | |
| 11 | Halogen Lamp (<i>If manufactured post 21/4/08</i>) | 111020 | |
| | Incandescent Lamp (<i>If manufactured pre 21/4/08</i>) | 102722 | |
| NS | Incandescent lamp diffuser (<i>If manufactured pre 21/4/08</i>) | 103125 | |
| 12 | Power Cord | 103821 | |
| 13 | Filter Aluminium Mesh 808 x 172 | 103795 | |
| | Filter Charcoal 808 x 172 | 1496 | |
| 14 | Finger Guard | 103943 | |
| 15 | E-Clip | 999084 | |
| 16 | Fan Blade | 102283 | |
| 17 | Sliding track | 102245 | |



Wiring diagram - For models manufactured after the 21st April 2008



New Zealand

Parbury Building Products (NZ) Limited
Telephone: 0800 760 667
Facsimile: 0800 276 246
Email: enquiries@robinhood.co.nz
www.robinhood.co.nz

Australia

Parbury Pty Limited
(ABN 83 004 568 138)
Telephone: 1800 648 556
Facsimile: 1800 628 577
Email: enquiries@robinhood.com.au
www.robinhood.com.au