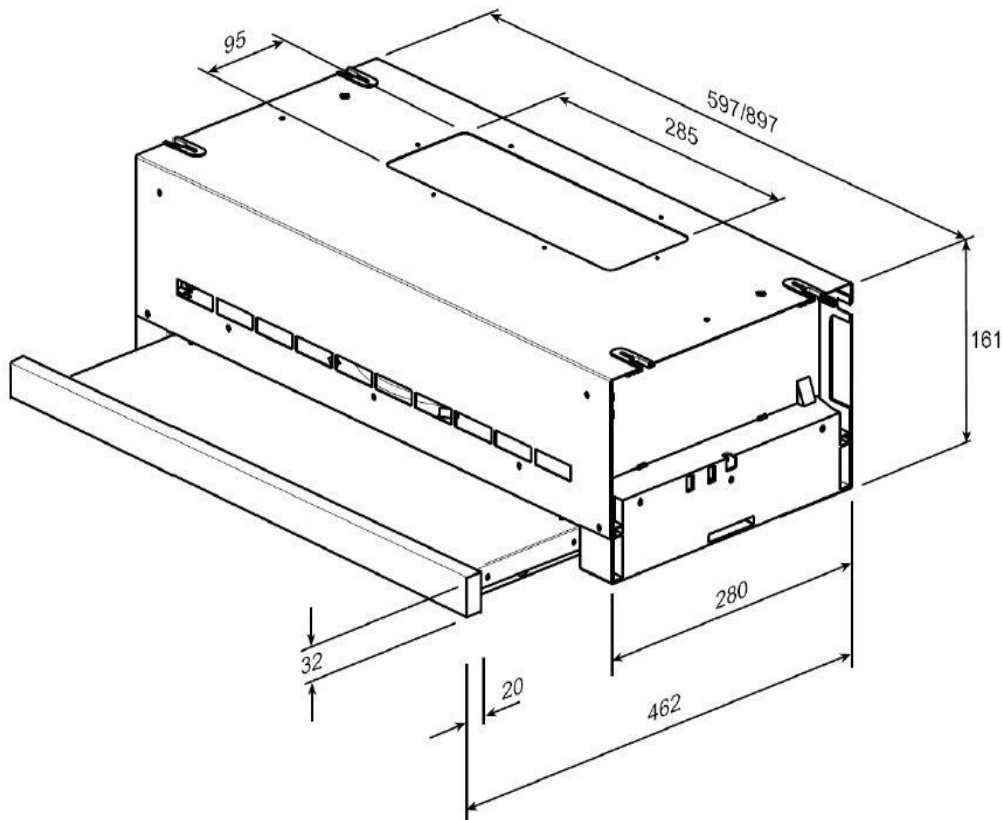


Description: **ROBINHOOD SLIDEOUT**
Model Number: **RI6SS, RI6WH, RI9SS, RI9WH**

Typical design



Features and benefits

- **High performance extraction fan**
High performance extraction fan rapidly removes steam, smoke and cooking smells from your kitchen. Three-speed switch lets you select the fan strength you need – half strength for steamed vegetables; full strength for stir fries.
- **Halogen lamps**
50 watt halogen lamps illuminate the entire cooking surface. Lamps are quick and easy to replace.
- **Multi-layered micromesh filters**
Multi-layered micromesh filters effectively trap grease. They're simple to remove and are easily maintained with a regular clean in the dishwasher.
- **Rectilinear design**
Simple styling makes cleaning easy. High quality stainless steel or powder coated steel and the fingertip controls are easy to clean with a damp cloth.
- **Thermal overload switch**
Thermal overload function that senses extreme heat and disconnects power to the motor temporarily. If you have a cooking disaster, and something catches fire, the rangehood automatically switches off to prevent flames and sparks being sucked into the ducting or ceiling.
- **Recirculation option**
In situations where ducting isn't possible, your rangehood can be fitted with charcoal filters that effectively cleanse the air before returning it to the kitchen.

Specifications

Technical data:

- 3 speed centrifugal motor
- 2 x 50 Watt halogen lamps
- Gauge of steel: 0.6 mm
- Type of steel: panel steel
- Finish of steel (RI6SS, RI9SS): powder coated matt black body, stainless steel handle
- Finish of steel (RI6WH, RI9WH): powder coated appliance white
- 230-240 Volt. 50 Hertz. 165 Watt Max.
- Tested to EMC AS/NZS4417
- Electrical approval: AS3310-1992
- Performance tested to AS2682-1984
- Filter specifications: three layered micro mesh
- Length of power cord: 1200mm
- Ducting outlet: 285 x 95mm top or rear
- Recirculation option through front grille

Gross weight: 6.5kg (600 model), 8.7kg (900 model)

Carton volume: 0.044m³ (600 model), 0.064m³ (900 model)

Carton dimensions : 340 x 200 x 640mm (600 model), 340 x 200 x 935mm (900 model)

Rangehood dimensions: 280 x 161 x 597mm (600 model), 280 x 161 x 897mm (900 model)

Performance data:

Fan speed 1	265m ³ /hr
Fan speed 2	342m ³ /hr
Fan speed 3	456m ³ /hr
Noise speed 1	52dB
Noise speed 2	57dB
Noise speed 3	61dB

Australia
Parbury Pty Limited
(ABN 83 004 568 138)
Telephone: 1800 648 556
Facsimile: 1800 628 577
Email: enquiries@robinhood.com.au
www.robinhood.com.au

New Zealand
Parbury Building Products (NZ)
Limited
Telephone: 0800 760 667
Facsimile: 0800 276 246
Email: enquiries@robinhood.co.nz
www.robinhood.co.nz

