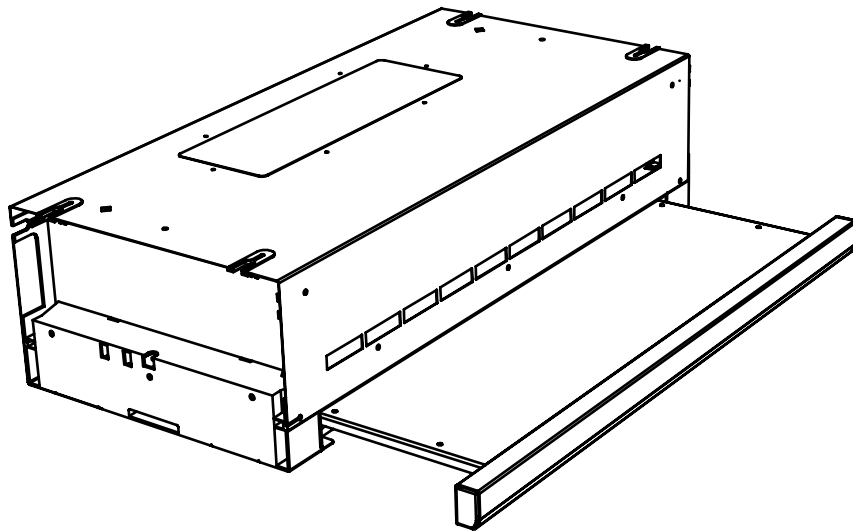


RO-SERIES

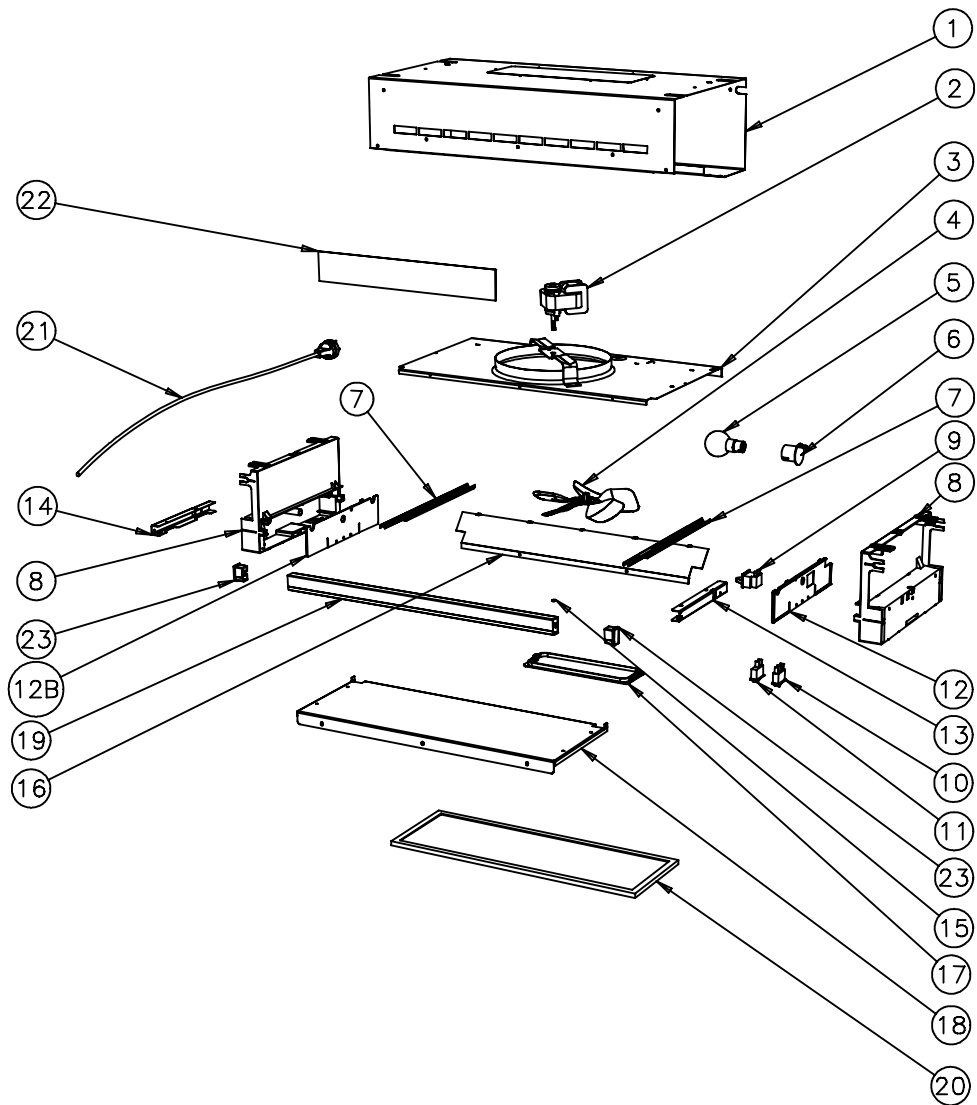


RETRACTABLE RANGE HOOD
MODEL

RO6WH, RO6BL, RO6SS

RO9WH, RO9BL, RO9SS

RO-SERIES



RO-SERIES

600 MODEL

ITEM	DESCRIPTION	RO6WH PART No.	RO6BL PART No.	RO6SS PART No.
1*	Body Wrapper			
2	Uppco Motor - 2 speed	103673	103673	103673
3*	Motor Housing			
4	Fan Blade	102283	102283	102283
5	Lamp 40W Round Clear	101191	101191	101191
6	Lamp Holder	101104	101104	101104
7	Sliding track	102245	102245	102245
8	Plastic side	See item 24	See item 24	See item 24
9	Door Switch	102686	102686	102686
10	Light Switch	100683 103892	101909 103894	101909 103894
11	Fan Switch	100684 103893	101910 103895	101910 103895
12	Plastic Side Cover Sw.	103461WH	103461BL	103461BL
12B	Plastic Side Cover Blan.	103462WH	1033462BL	103462BL
13	Slider Bracket Sym.	103358WH	103358BL	103358BL
14	Slider Bracket Sym.	103358WH	103358BL	103358BL
15	E-Clip	999084	999084	999084
16*	Rear Cover			
17	Light diffuser 40W	103125	103125	103125
18	Tray	103271WH	103271BL	103271BL
19	Front Handle 600 Assy	103774WH	103774BL	103775SS
20	Filter Alum 508x172	103794	103794	103794
20	Filter Charcoal 508x172	103794C	103794C	103794C
21	Power Cord	103821	103821	103821
22	Exhaust Cover Film	103420	103420	103420
23	End Cap Family	103778WH	103778BL	103778BL
24	Installation kit	111048	111049	111049
	Fingerguard	103798	103798	103798

*NOTE: Parts are not available outside production.

RO-SERIES

900 MODEL

ITEM	DESCRIPTION	RO9WH PART No.	RO9BL PART No.	RO9SS PART No.
1*	Body Wrapper			
2	Uppco Motor - 2 speed	103673	103673	103673
3*	Motor Housing			
4	Fan Blade	102283	102283	102283
5	Lamp 40W Round Clear	101191	101191	101191
6	Lamp Holder	101104	101104	101104
7	Sliding track	102245	102245	102245
8	Plastic side	See item 24	See item 24	See item 24
9	Door Switch	102686	102686	102686
10	Light Switch	100683 103892	101909 103894	101909 103894
11	Fan Switch	100684 103893	101910 103895	101910 103895
12	Plastic Side Cover Sw.	103461WH	103461BL	103461BL
12B	Plastic Side Cover Blan.	103462WH	1033462BL	103462BL
13	Slider Bracket Sym.	103358WH	103358BL	103358BL
14	Slider Bracket Sym.	103358WH	103358BL	103358BL
15	E-Clip	999084	999084	999084
16*	Rear Cover			
17	Light diffuser 40W	103125	103125	103125
18	Tray	103272WH	103272BL	103272BL
19	Front Handle Assy	103776WH	103776BL	103777SS
20	Filter Alum 808x172	103795	103795	103795
20	Filter Charcoal 808x172	103795C	103795C	103795C
21	Power Cord	103821	103821	103821
22	Exhaust Cover Film	103420	103420	103420
23	End Cap Family	103778WH	103778BL	103778BL
24	Installation kit (2 speed)	111048	111049	111049
	Fingerguard	103798	103798	103798

*NOTE: Parts are not available outside production.

RO-SERIES

SECTION 1.

MOTOR REMOVAL AND REPLACEMENT

- 1.1 DISCONNECT THE POWER SUPPLY
- 1.2 REMOVE FILTER
- 1.3 REMOVE FINGERGUARD AND FANBLADE
- 1.4 UNDO TWO MOTOR RETAINING NUTS AND REMOVE THE WASHERS.
- 1.5 PUSH MOTOR VERTICALLY UP AND ROLL OUT OVER MOTOR MOUNTING BRACKET
- 1.6 CUT THE WIRES FROM THE OLD MOTOR.
- 1.7 CUT THE WIRES ON THE NEW MOTOR APPROXIMATELY 50mm FROM THE MOTOR **NOTE:** BLACK = HIGH SPEED
RED = LOW SPEED
WHITE = NEUTRAL
- 1.8 STRIP AND SOLDER THE WIRES FROM THE NEW MOTOR TO THE RANGE HOOD AND SLEEVE EACH WIRE
- 1.9 REASSEMBLE RANGE HOOD IN THE REVERSE OF THE PROCEDURE ABOVE
- 1.10 TEST TO ELECTRICAL SAFETY STANDARDS

SECTION 2.

SWITCH REPLACEMENT

- 2.1 DISCONNECT THE POWER SUPPLY.
- 2.2 REMOVE FILTER.
- 2.3 REMOVE SLIDE ASSEMBLY, 2 SCREWS EACH SIDE
- 2.4 REMOVE REAR COVER.
- 2.5 REMOVE PLASTIC SIDE COVER.
- 2.6 **DOOR SWITCH.** REMOVE DOOR SWITCH FROM PLASTIC SIDE COVER REPLACE WITH NEW SWITCH, CHECK WIRING AS PER WIRING DIAGRAM
- 2.7 **ROCKER SWITCH.**
 - A: SWITCH IS REMOVED BY DEPRESSING THE HOLDING TAGS MOULDED INTO END OF SWITCH.
 - B: REPLACE WITH NEW SWITCH, CHECK WIRING AS PER WIRING DIAGRAM, AND CHECK THAT SWITCHES ARE IN THE CORRECT POSITION.
- 2.8 REASSEMBLE IN REVERSE ORDER.
- 2.9 TEST TO ELECTRICAL SAFETY STANDARD.

RO-SERIES

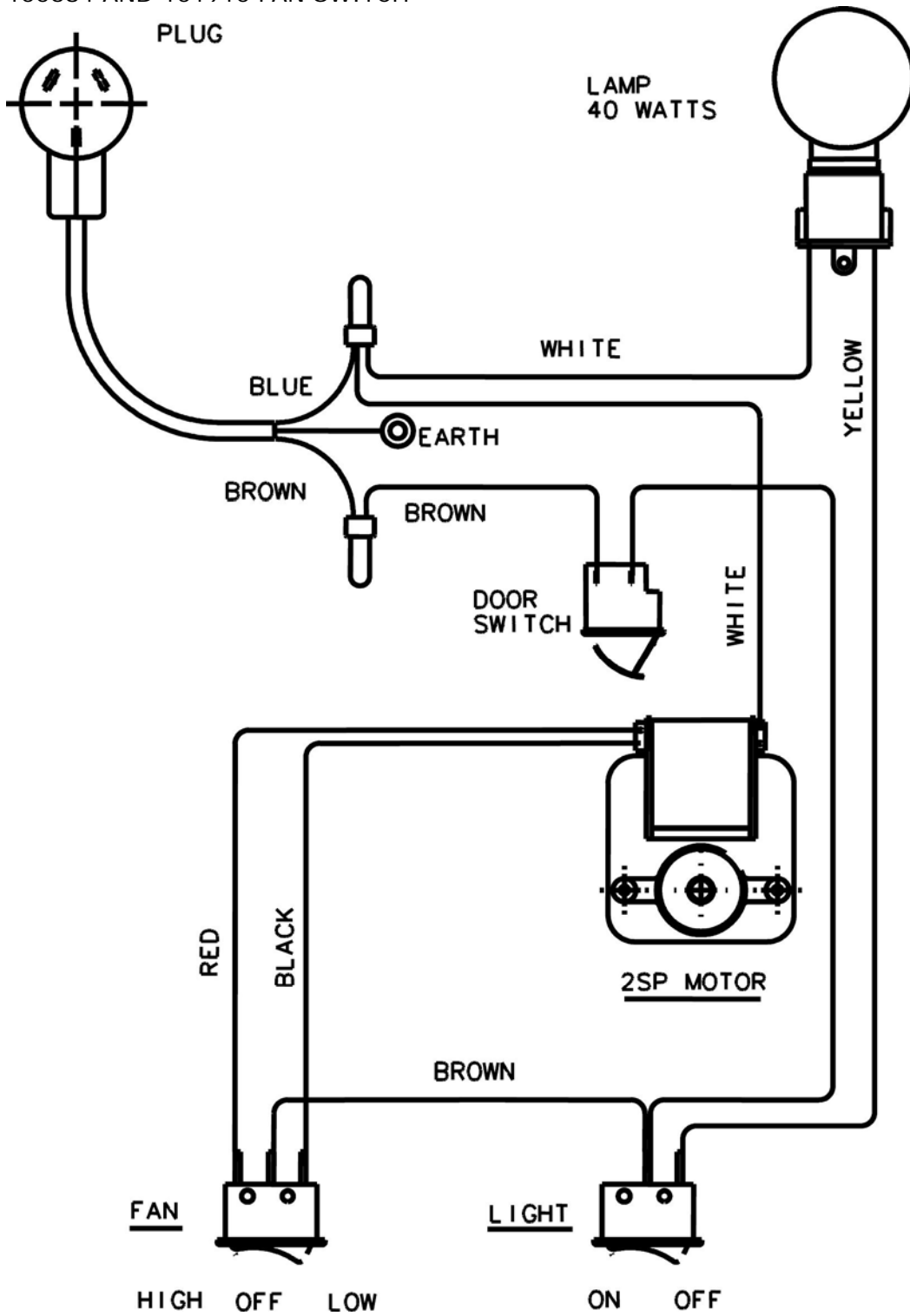
SECTION 3.

POWER CORD REPLACEMENT

- 3.1 DISCONNECT POWER SUPPLY
- 3.2 REMOVE FILTER
- 3.3 REMOVE SLIDE ASSEMBLY, 2 SCREWS EACH SIDE.
- 3.4 REMOVE REAR COVER.
- 3.5 REMOVE PLASTIC SIDE COVER.
- 3.6 REMOVE CORD FROM RETAINER (MOULDED INTO SIDE)
- 3.7 CUT POWERCORD AT CLOSED END CONNECTORS. (DO NOT PULL OUT OF UNIT)
- 3.8 CUT AND STRIP POWER CORD ON THE OUTSIDE OF RANGEHOOD (THIS WILL BE USED AS A DRAW WIRE)
- 3.9 TWIST END OF THE NEW POWER CORD TO THE OLD ENDS AND DRAW CORD THROUGH INTO WIRING COMPARTMENT OF HOOD.
- 3.10 CONNECT NEW POWER CORD TO RANGEHOOD WIRING USE NEW CLOSED END CONNECTORS.
- 3.11 REFIT POWER CORD INTO RETAINER.
- 3.12 REFIT PLASTIC SIDECOVER PLACING EARTH WIRE IN RECESS ON SIDE COVER. FIT IN PLACE.
- 3.13 CONNECT EARTH WIRE TO MOTOR HOUSING.
- 3.14 REASSEMBLE HOOD IN REVERSE ORDER.
- 3.15 TEST TO ELECTRICAL SAFETY STANDARDS.

RO-SERIES

WIRING DIAGRAM FOR
100683 AND 101909 LIGHT SWITCH
100684 AND 101910 FAN SWITCH



RO-SERIES

WIRING DIAGRAM FOR
103892 AND 103894 LIGHT SWITCH
103893 AND 103895 FAN SWITCH

